



AWM.
AMAROO
ECHOPANEL



ECHOPANEL

AWM Amaroo Echopanel screens utilise 12 or 24mm acoustic felt panels to provide a simple and effective workstation screen. The screen panels are sourced from local supply partners and are cut in our Sydney factory, giving ultimate control over details including the finish and shape of the screen.

PROUDLY AUSTRALIAN

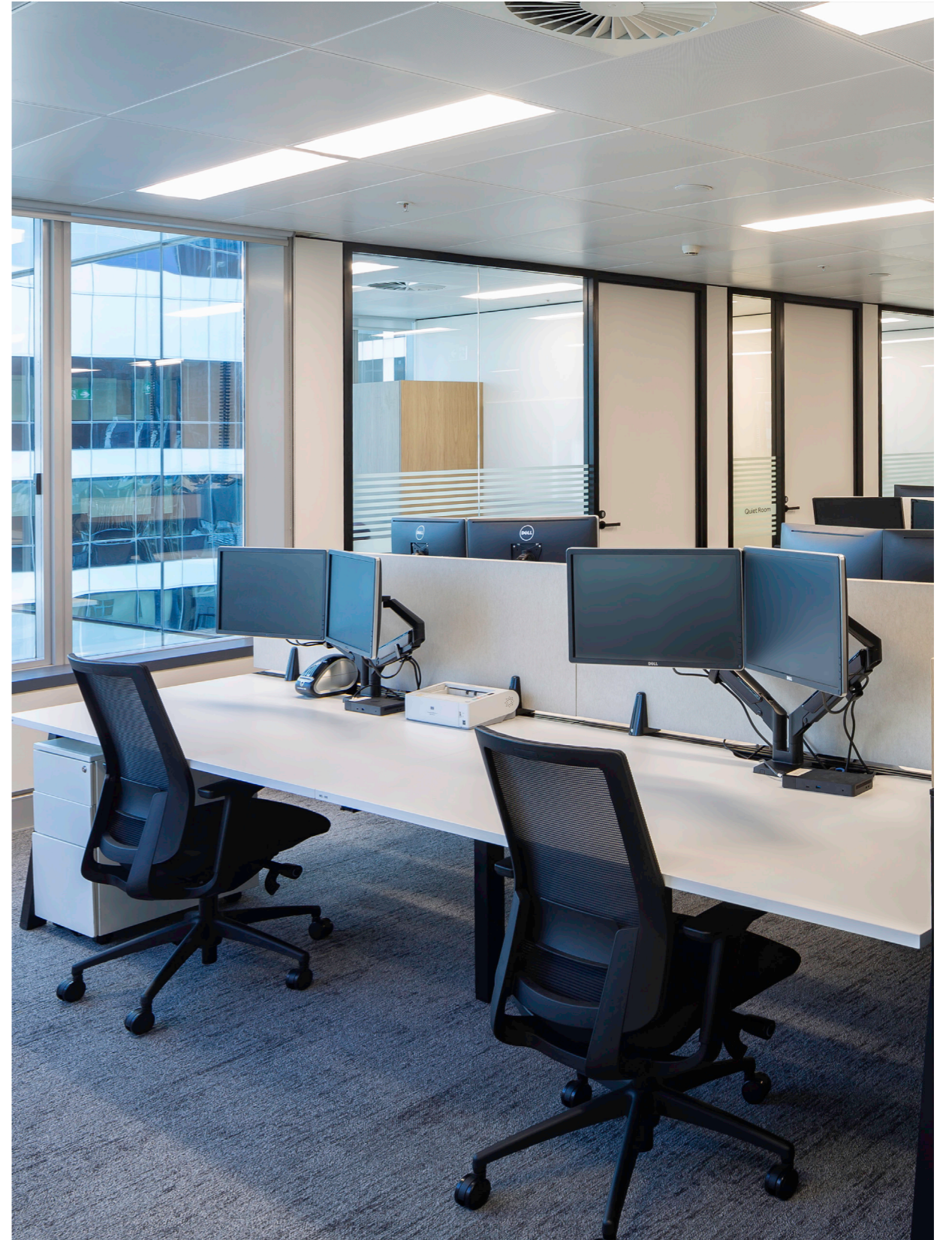
At AWM Amaroo, our pride and passion drive our dedication to Australian manufacturing. From our design process to final production, we ensure that every product is crafted with 100% Aussie-born quality.

As a locally-based company, we are committed to delivering bespoke products that reflect the excellence of Australian craftsmanship.



Individual Linear Echopanel Screens - 24mmT
Financial Company, Sydney CBD

Manufactured in our Fairfield East factory, our Echopanel Workstation Screens are made to client specifications offering extensive customisation options from size, fabric finishes, to shape and corner details.



Shared Linear Orio Screens
Collaborative Pilot Project with PMG, Parramatta

SPECIFICATIONS

Warranty	10 Years*
Lead Time	4 - 6 Weeks
Manufacture	Australia
Height	1050 - 1400mmAFFL
Thickness	Echopanel - 12mmT, 24mmT Echopanel Kurved - 12mmT
Details	Customisable material and shape specifications 100mm internal radius on Echopanel Kurved screens as standard
Accreditations	GECA Level A

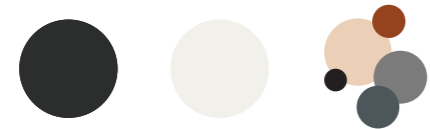


Screen Finishes



Client Specified Echopanel

Bracket Finishes



Satin Black Powder Coat

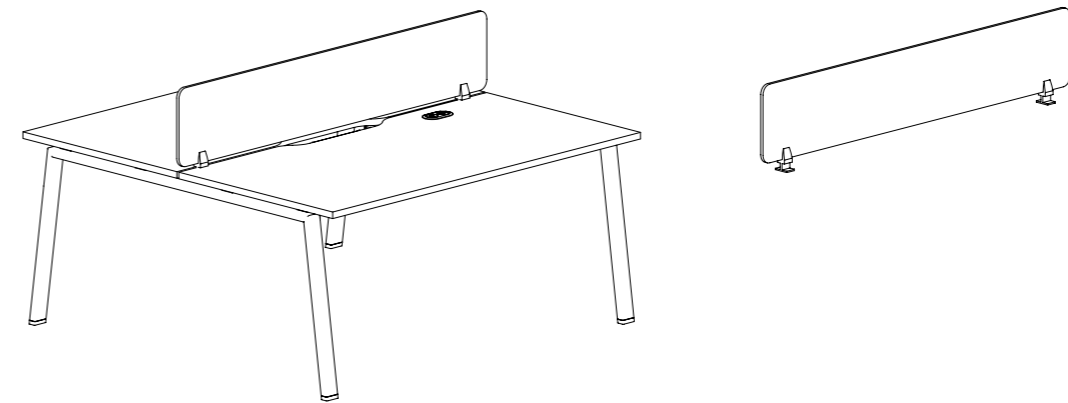
Satin White Powder Coat

Client Specified Powder Coat

STANDARD CONFIGURATIONS

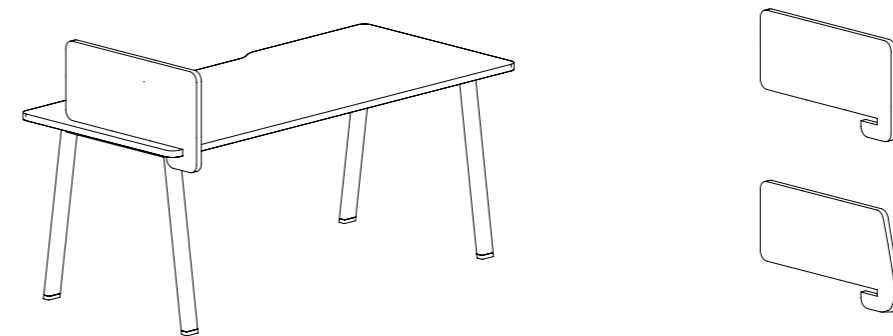
Fixed Height Back-to-Back - Shared Linear Screen

Dimensions	W	1400 - 2100mm
	D	12 - 24mm
	H	1050 - 1200mm AFFL



Slide-On Orio

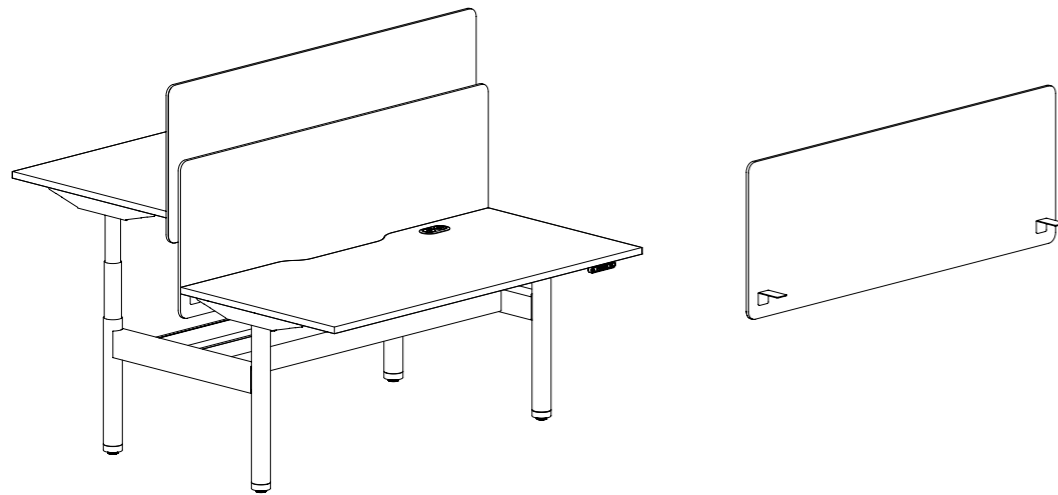
Dimensions	W	600 - 900mm
	D	24 mm
	H	950 - 1200mm AFFL



* The warranty on fabrics and foam is limited to that given by the manufacturer, agent or supplier

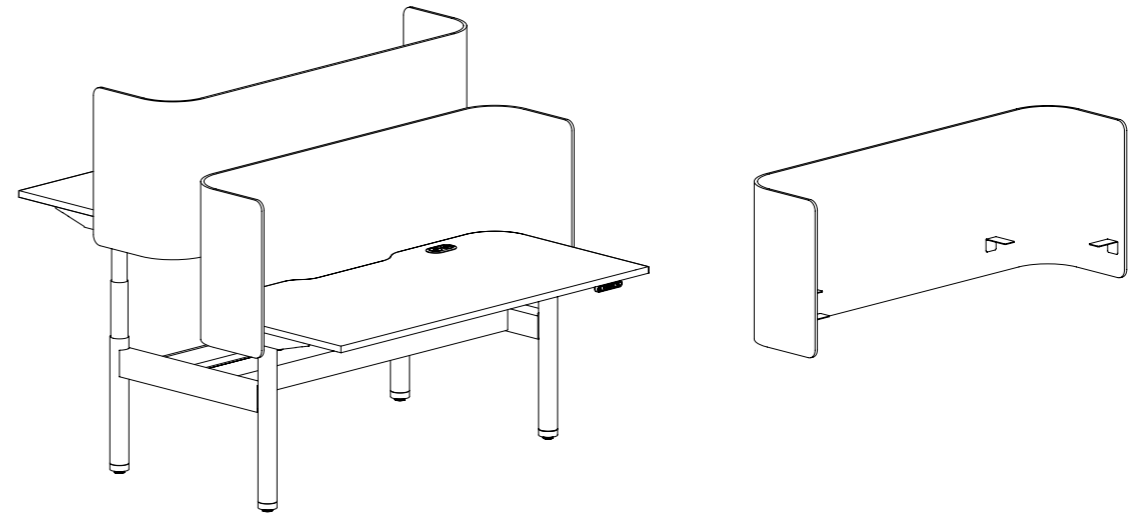
Height Adjust Back-to-Back - Individual Linear Screen

Dimensions	W	1400 - 2100mm
	D	12 - 24mm
	H	1050 - 1200mm AFFL



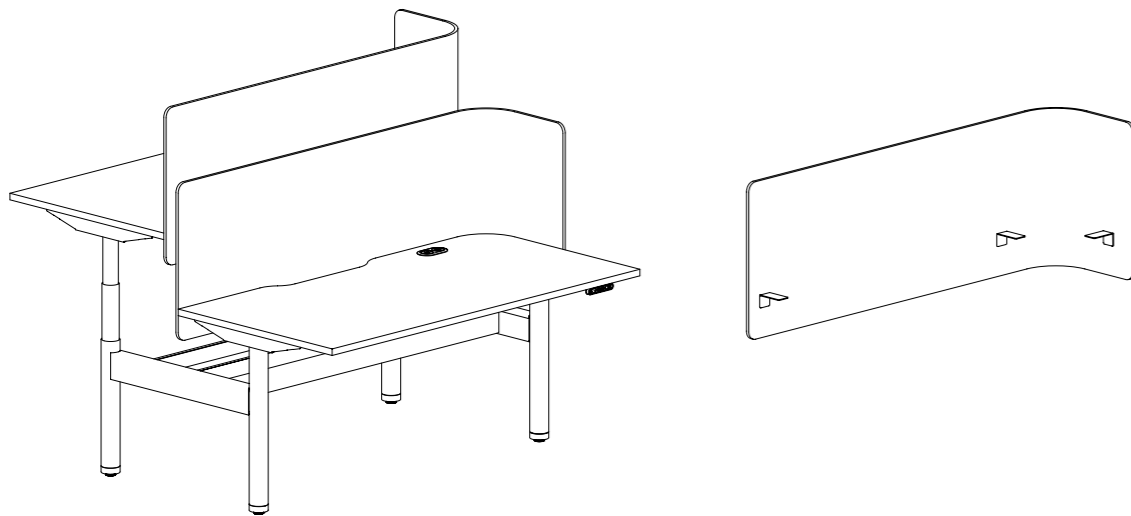
Height Adjust Back-to-Back - Individual Full Wrap-Around Screen

Dimensions	W	1200 - 2000mm
	D	500 mm [†]
	H	1050 - 1200mm AFFL



Height Adjust Back-to-Back - Individual Single Side Wrap-Around Screen

Dimensions	W	1400 - 2100mm / 500mm Return [†]
	D	12 - 24mm
	H	1050 - 1200mm AFFL



[†] Depth of return dictated by material sheet size and width of top, 500mm return typical to 1800mm wide top.



Individual Single Side Return Echopanel Kurve Screens
Gallagher, Parramatta

AWM. AMAROO

AWM Amaroo is committed to adopting processes and practices aimed at reducing our environmental footprint whilst maintaining a superior level of quality. As a result of our diligence and leadership within this area, AWM Amaroo is certified for a number of quality and environmental accreditations that acknowledge our commitment to producing superior quality products with as minimal environmental impact as possible.



ISO 9001
Quality
Management



ISO 14001
Environmental
Management



ISO 45001
Health & Safety
Management

E. sales@awm.net.au
P. 1300 475 217

Sydney Showroom
118 Commonwealth St
Surry Hills, NSW 2010

Fairfield Factory
9 Malta St
Fairfield East, NSW 2165

Melbourne Showroom
132-134 Adderley St
West Melbourne, VIC 3003



**AWM.
AMAROO**

Colour and swatches shown in this document are for reference only and may differ in actuality. Copyright AWM Amaroo. All concepts, photography and ideas contained within this document are private and confidential. They must not be reproduced in any way or form and remain the intellectual property of AWM. All products are registered designs with IP Australia.
AWM.NET.AU