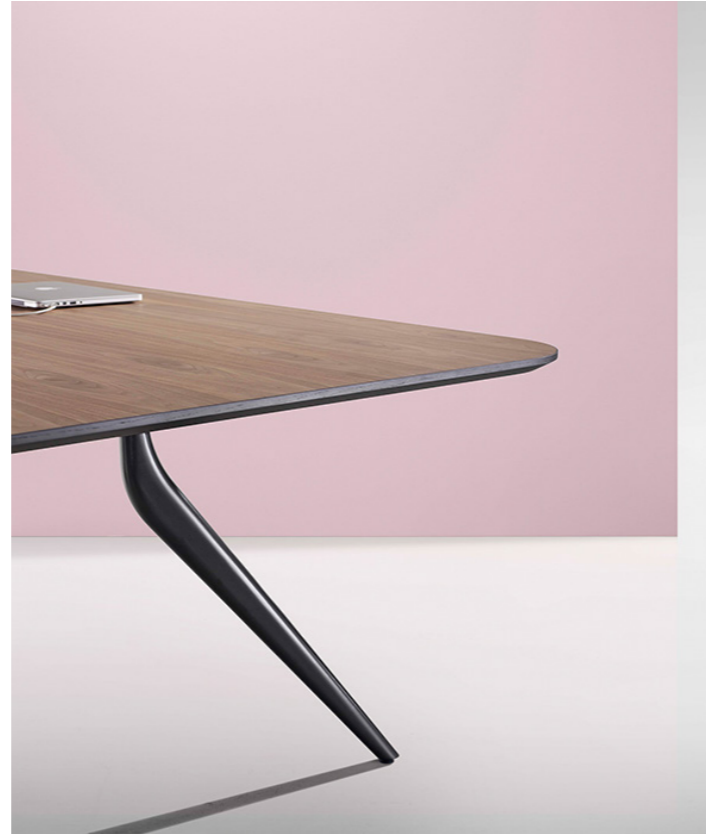


Thinking  
Works



**AWM.**  
**AMAROO**  
**EONA**



# EONA

EONA Table by Thinking Works is a modular table system crafted from post-consumer recycled materials, boasting both environmental sustainability and timeless design, perfect for conference and boardroom settings. Its flexible design allows for easy adjustments of leg positioning, catering to various table sizes, and ensures effortless disassembly for future recycling, promoting sustainability throughout its lifecycle.



# PROUDLY AUSTRALIAN

At AWM Amaroo, our pride and passion drive our dedication to Australian manufacturing. From our design process to final production, we ensure that every product is crafted with 100% Aussie-born quality.

As a locally-based company, we are committed to delivering bespoke products that reflect the excellence of Australian craftsmanship.



Sleek aesthetics and timeless design make EONA ideal for the conference or boardroom, while its flexible nature allows for customisable leg positioning and post-installation adjustments – so you can reuse your EONA table for various future applications.



# STANDARD CONFIGURATIONS

## SPECIFICATIONS

<b>Warranty</b>	10 Years
<b>Lead Time</b>	4 - 6 Weeks
<b>Manufacture</b>	Australia
<b>Height</b>	725mm / 610-850mm / 645-885mm*
<b>Details</b>	Sturdy stainless steel legs Standard black or white powder coat frame Seamless integration with power & data modules, and accessories
<b>Options</b>	Customisable top finish Tops shape are available in round, square, and rectangle Customisable powder coat leg finishes. Option for mobile design with castors Available in single and twin post options to support a wide range of sizes Available in four-star and five-star configurations

### Top Finishes



Client Specified†

### Base Finishes



Black Powder Coat



White Powder Coat

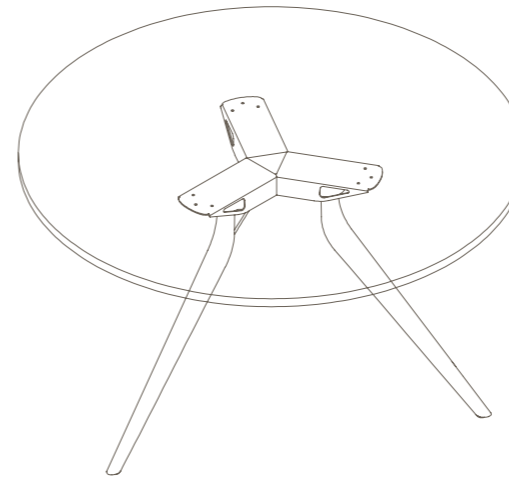


Client Specified Powder Coat†

## TABLE (720MM HEIGHT)

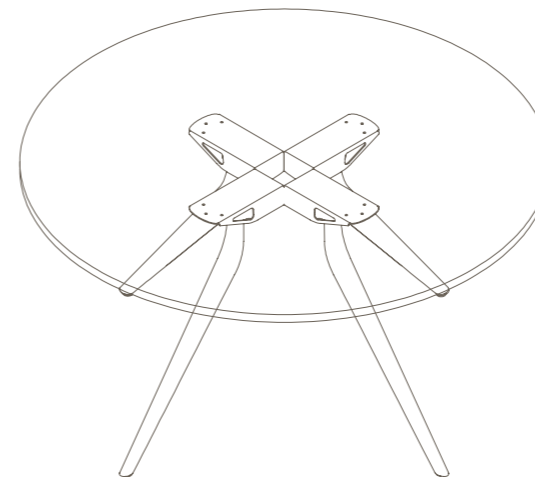
### Round Table - 3 Legs

Dimensions	W	Ø1200-1500
	H	725mm



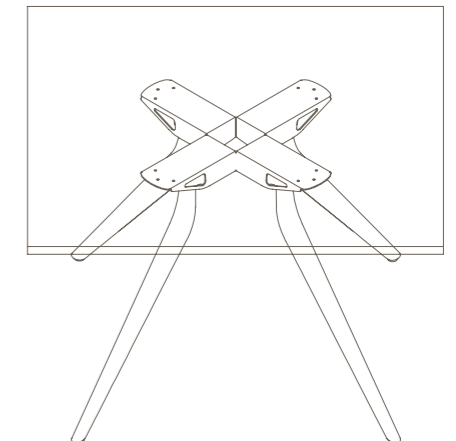
### Round Table - 4 Legs

Dimensions	W	Ø1250-1600
	H	725mm



### Square Table - 4 Legs

Dimensions	W	900-1350mm
	D	900-1350mm
	H	725mm



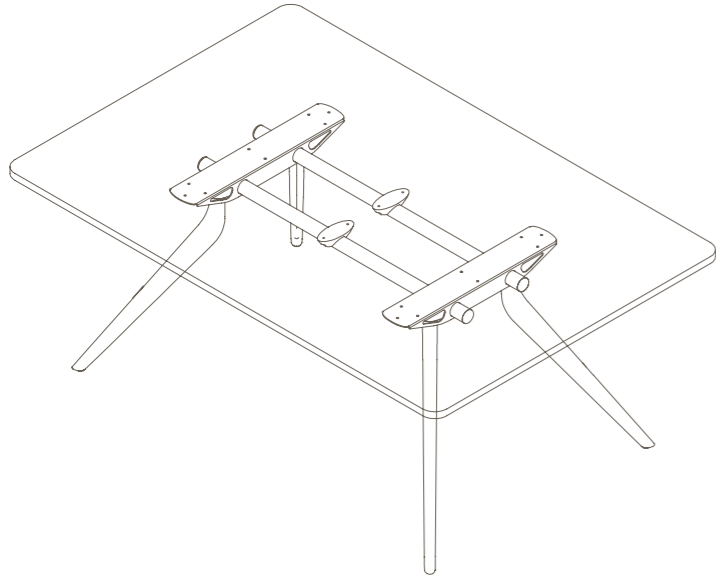
\*Dimensions given are for each individual worktop. Heights include the thickness of a standard 25mm worktop.

†Client specified powder coat is available on indent.

# RECTANGLE TABLE

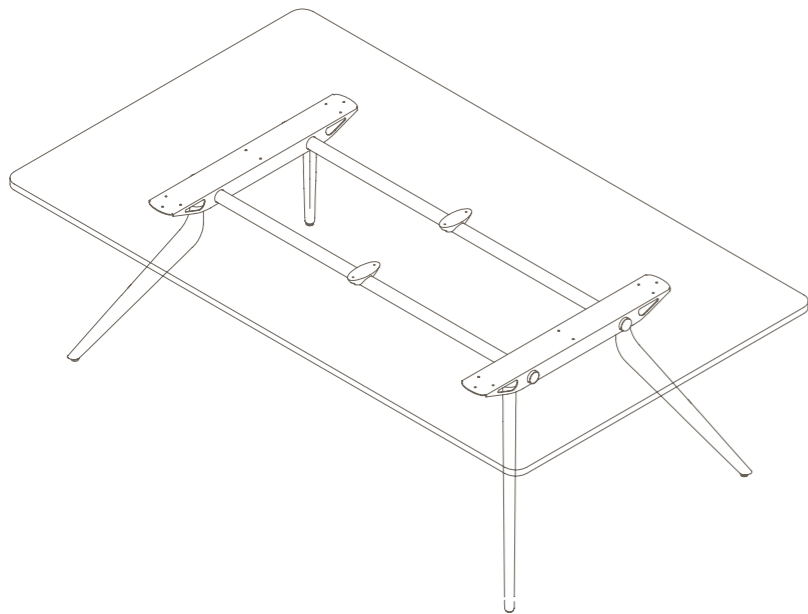
## Round Table

Dimensions	W	1200-3000mm
	D	800-1400mm
	H	725mm
	Rail	1100/1600/2200



## Square Table

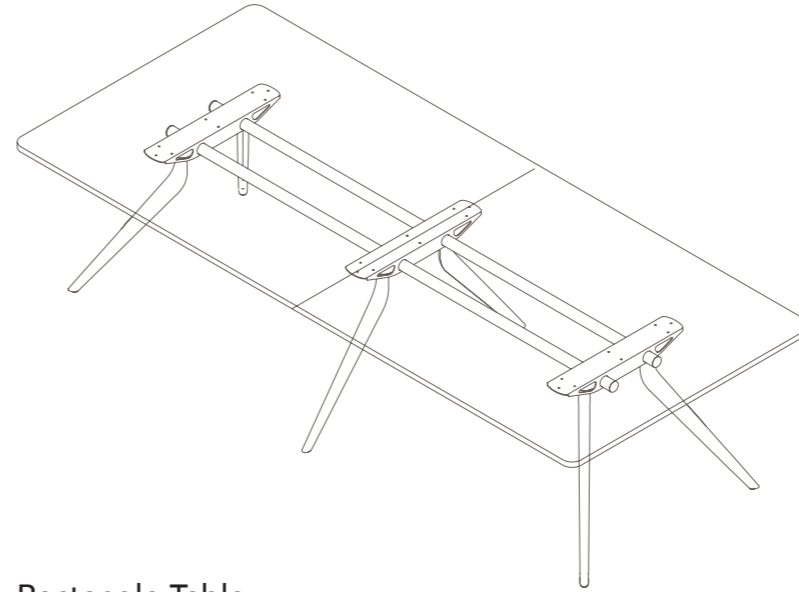
Dimensions	W	1200-3000mm
	D	1000-1800mm
	H	725mm
	Rail	1100/1600/2200



# LARGE RECTANGLE TABLE

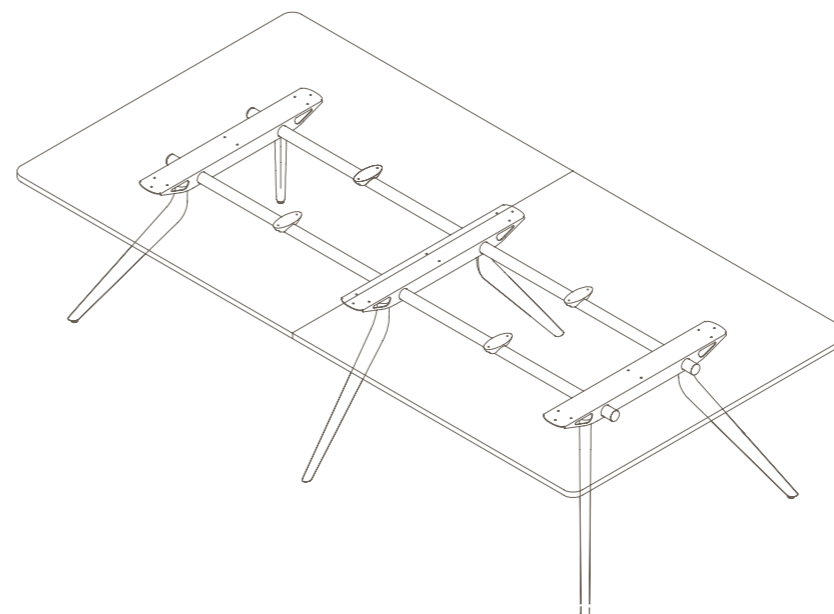
## Rectangle Table

Dimensions	W	2400-4800mm
	D	1050-1400mm
	H	725mm



## Rectangle Table

Dimensions	W	2400-4800mm
	D	1200-1800mm
	H	725mm





# AWM. AMAROO

AWM is committed to adopting processes and practices aimed at reducing our environmental footprint whilst maintaining a superior level of quality. As a result of our diligence and leadership within this area, AWM is certified for a number of quality and environmental accreditations that acknowledge our commitment to producing superior quality products with as minimal environmental impact as possible.



ISO 9001  
Quality  
Management



ISO 14001  
Environmental  
Management



ISO 45001  
Health & Safety  
Management

E. sales@awm.net.au  
P. 1300 475 217

Sydney Showroom  
118 Commonwealth St  
Surry Hills, NSW 2010

Fairfield Factory  
9 Malta St  
Fairfield East, NSW 2165

Melbourne Showroom  
132-134 Adderley St  
West Melbourne, VIC 3003



# AWM. AMAROO

Colour and swatches shown in this document are for reference only and may differ in actuality. Copyright AWM Amaroo. All concepts, photography and ideas contained within this document are private and confidential. They must not be reproduced in any way or form and remain the intellectual property of awm. All products are registered designs with ip australia.