



**AWM.
AMAROO**
I.AM



I.AM

Transform your commercial space with I.AM Tables – the epitome of flexibility and versatility. These tables seamlessly adapt to various top depths and lengths, making them perfect for everything from compact workstations to expansive boardroom setups. By allowing you to add frame spacers, extra legs, and feet, I.AM Table empowers you to create a workspace that suits your unique needs perfectly.

PROUDLY AUSTRALIAN

At AWM Amaroo, our pride and passion drive our dedication to Australian manufacturing. From our design process to final production, we ensure that every product is crafted with 100% Aussie-born quality.

As a locally-based company, we are committed to delivering bespoke products that reflect the excellence of Australian craftsmanship.



Single Post, Flip Base

A modular system designed for collaboration and productivity. It is highly customisable and adaptive to suit your office needs.



Twin Post Frame

STANDARD CONFIGURATIONS

SPECIFICATIONS

Warranty	10 Years
Lead Time	4 - 6 Weeks
Manufacture	Australia
Height	725mm / 610-850mm / 645-885mm*
Details	Sturdy stainless steel legs Standard black or white powder coat frame Seamless integration with power & data modules, and accessories
Options	Customisable top finish Tops shape are available in round, square, and rectangle Customisable powder coat leg finishes. Option for mobile design with castors Available in single and twin post options to support a wide range of sizes Available in four-star and five-star configurations

Top Finishes



Client Specified†

Base Finishes



Black Powder Coat



White Powder Coat

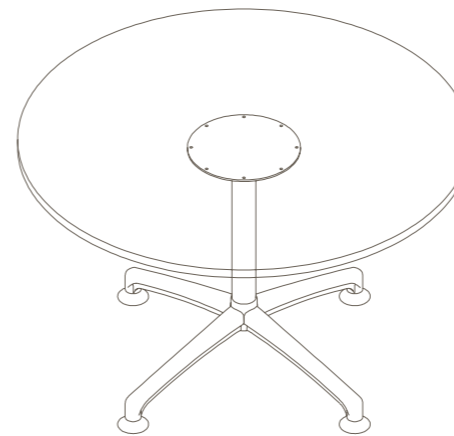


Client Specified Powder Coat†

TABLE (720MM HEIGHT)

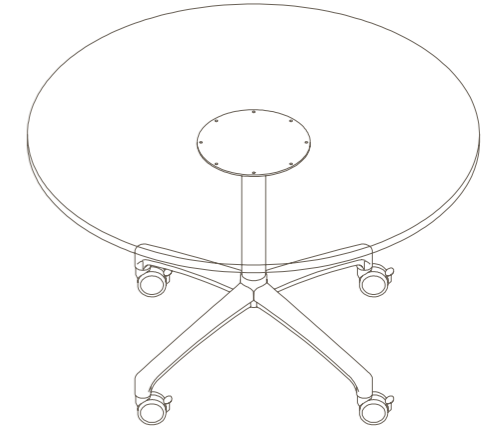
Round Table

Dimensions	W	Ø1000-1300
	H	720mm



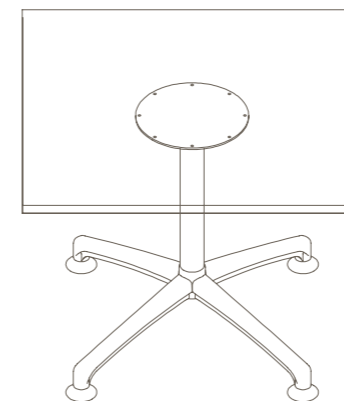
Round Table - Castors

Dimensions	W	Ø1000-1300
	H	720mm



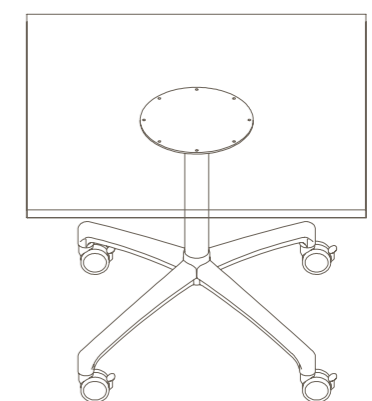
Square Table

Dimensions	W	750-1000mm
	D	750-1000mm
	H	720mm



Square Table - Castors

Dimensions	W	750-1000mm
	D	750-1000mm
	H	720mm



*Dimensions given are for each individual worktop. Heights include the thickness of a standard 25mm worktop.

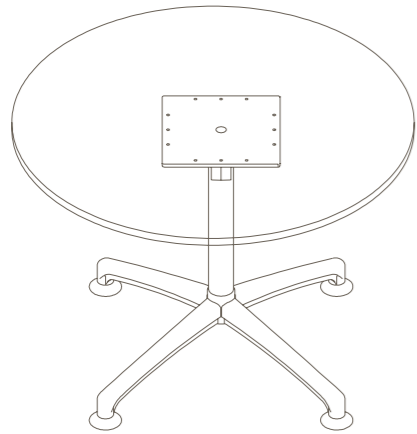
†Client specified powder coat is available on indent.

FOLDING TABLE

5-STAR BASE TABLE

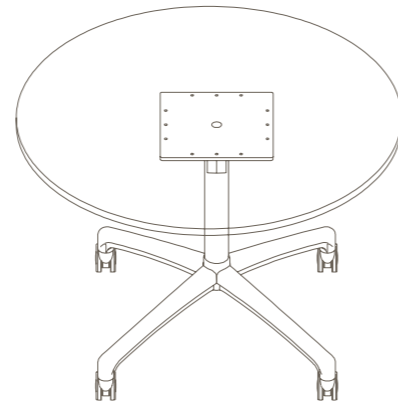
Round Table

Dimensions	W	Ø1000
	H	720mm



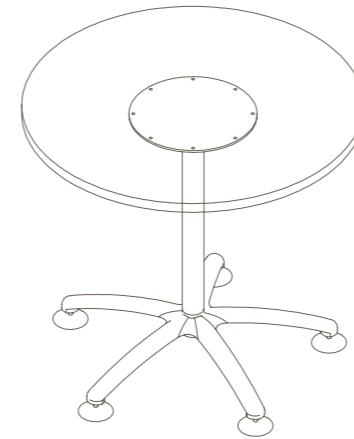
Round Table - Castors

Dimensions	W	Ø1000
	H	720mm



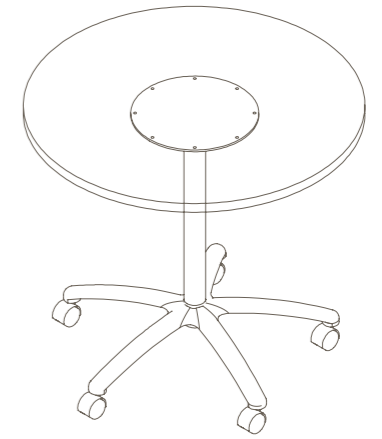
Round Table

Dimensions	W	Ø750-1000
	H	720mm



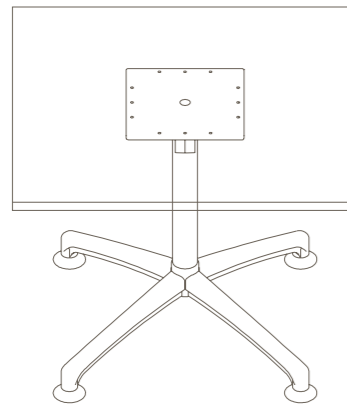
Round Table - Castors

Dimensions	W	Ø750-1000
	H	720mm



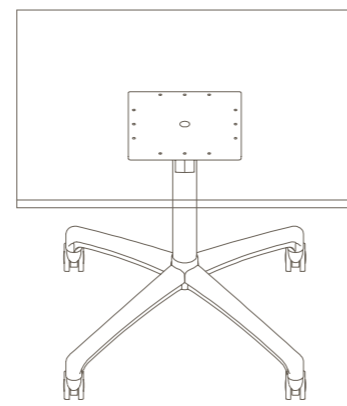
Square Table

Dimensions	W	750-1000mm
	D	750-1000mm
	H	720mm



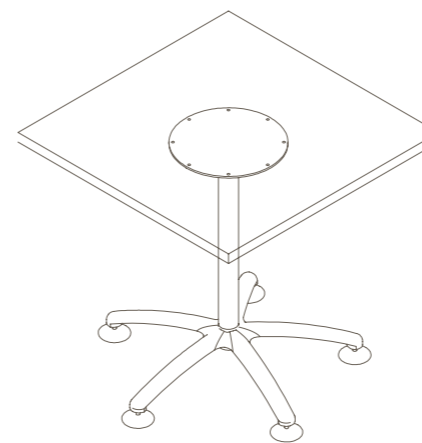
Square Table - Castors

Dimensions	W	750-1000mm
	D	750-1000mm
	H	720mm



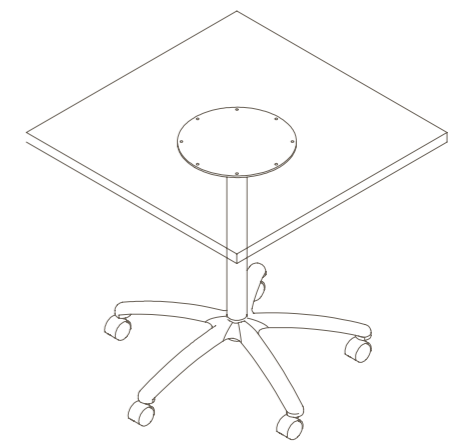
Square Table

Dimensions	W	750-1000mm
	D	750-1000mm
	H	720mm



Square Table - Castors

Dimensions	W	750mm
	D	750mm
	H	720mm

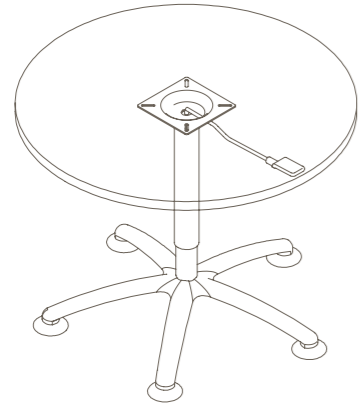


GAS LIFT HEIGHT ADJUSTABLE

FOLDING TABLE

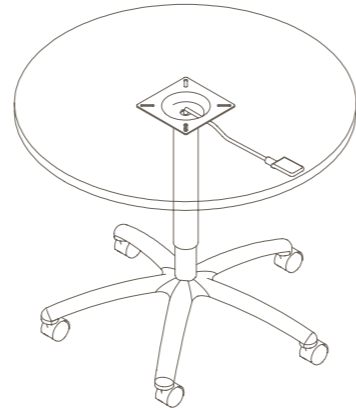
Round Table

Dimensions	W	Ø750mm
	H	595-835mm



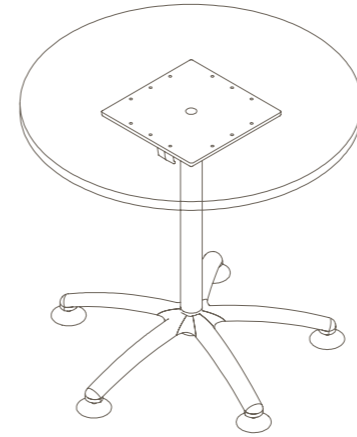
Round Table - Castors

Dimensions	W	Ø750mm
	H	595-835mm



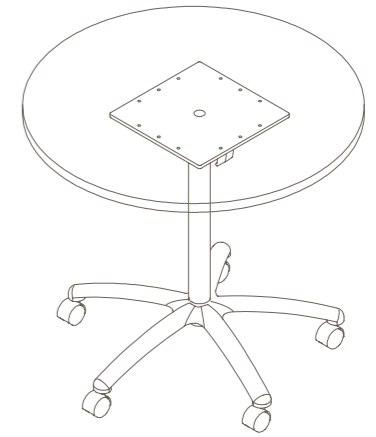
Round Table

Dimensions	W	Ø750mm
	H	720mm



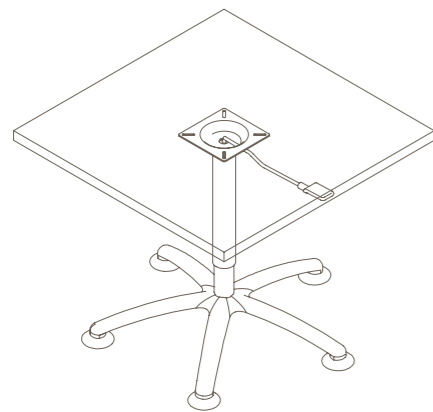
Round Table - Castors

Dimensions	W	Ø750mm
	H	720mm



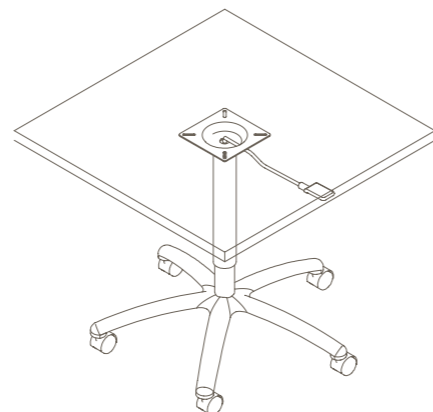
Square Table

Dimensions	W	750mm
	D	750mm
	H	595-835mm



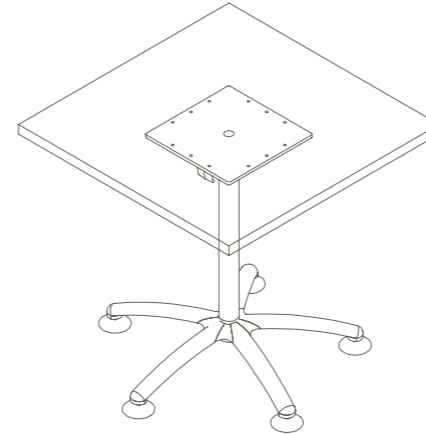
Square Table - Castors

Dimensions	W	750mm
	D	750mm
	H	595-835mm



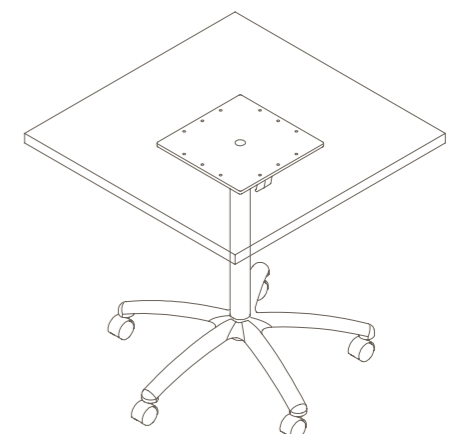
Square Table

Dimensions	W	750mm
	D	750mm
	H	720mm



Square Table - Castors

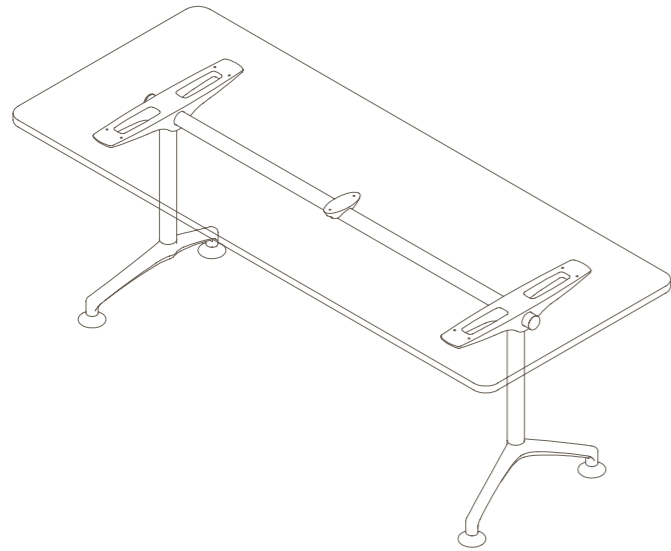
Dimensions	W	750mm
	D	750mm
	H	720mm



RECTANGLE TABLE

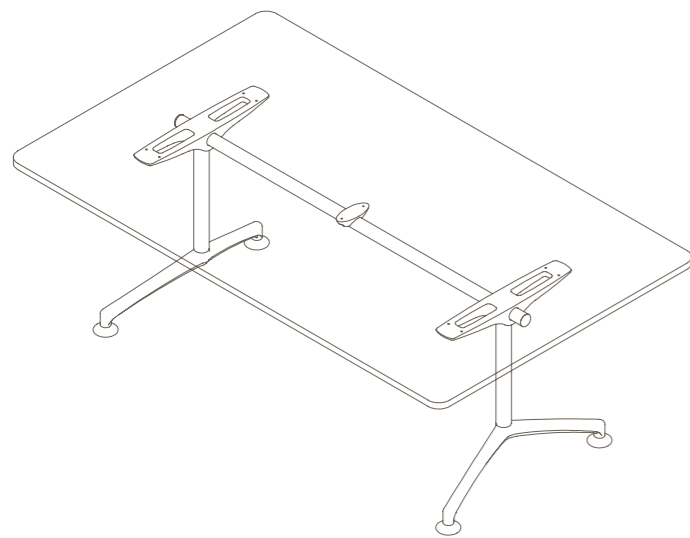
Round Table

Dimensions	W	1200-2700mm	Rail	1100/1600/2200mm
	D	600-900mm		
	H	720mm		



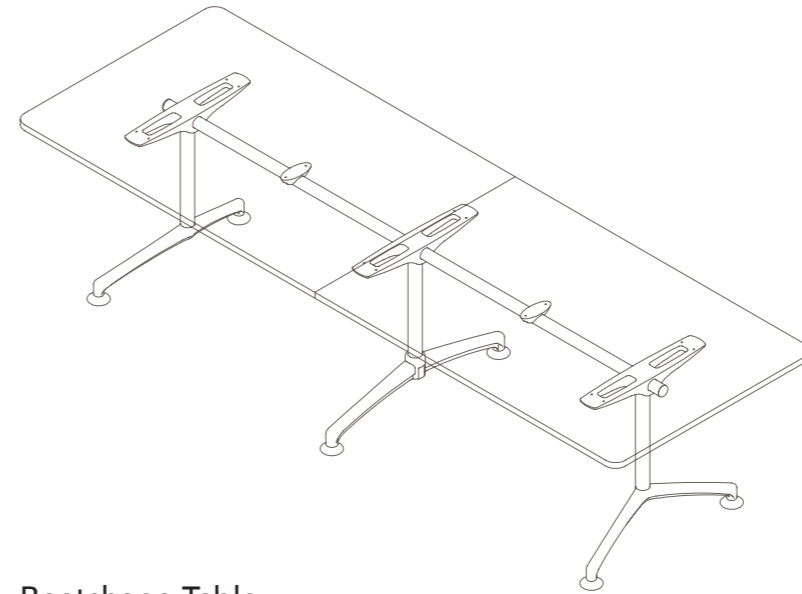
Square Table

Dimensions	W	1200-2700mm	Rail	1100/1600/2200mm
	D	800-1300mm		
	H	720mm		
	Rail	1100/1600/2200mm		



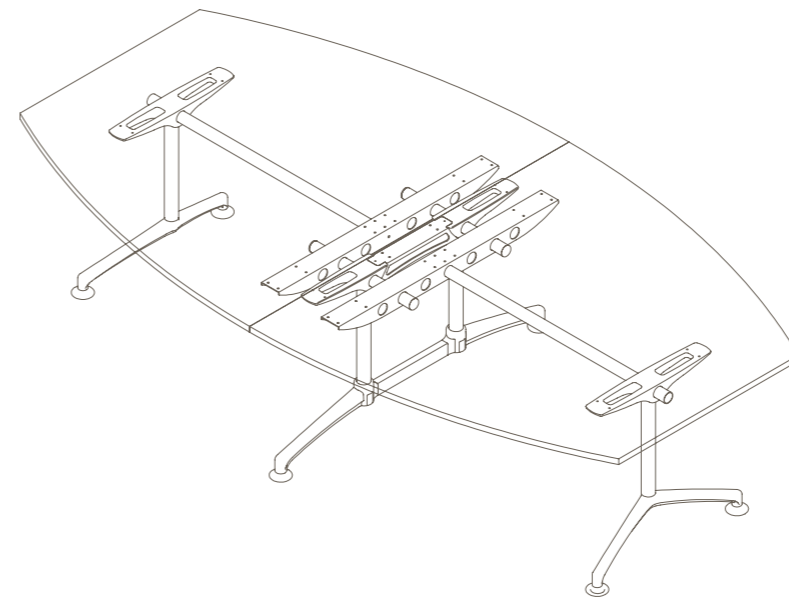
Rectangle Table - Narrow

Dimensions	W	1800-4800mm
	D	950-1300mm
	H	725mm



Boatshape Table

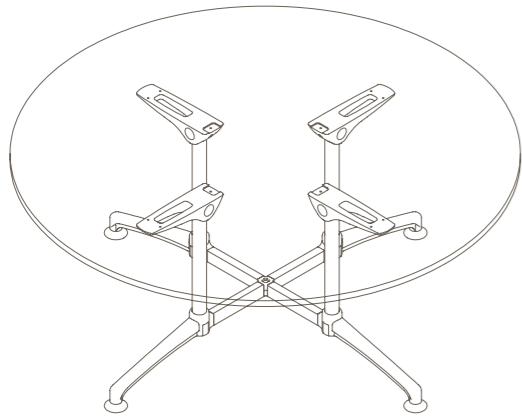
Dimensions	W	1800-4800mm
	D	1400-2100mm
	H	725mm



MULTI-LEG TABLE

Round Table

Dimensions	W	Ø1400-2100mm
	H	725mm



Square Table

Dimensions	W	1050-1800mm
	D	1050-1800mm
	H	725mm

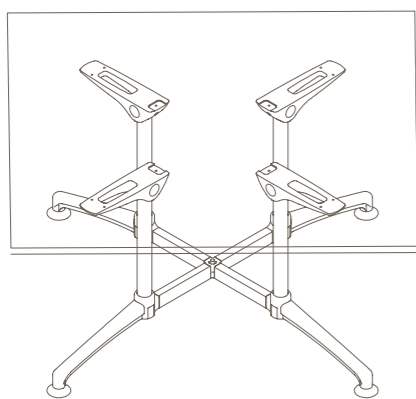
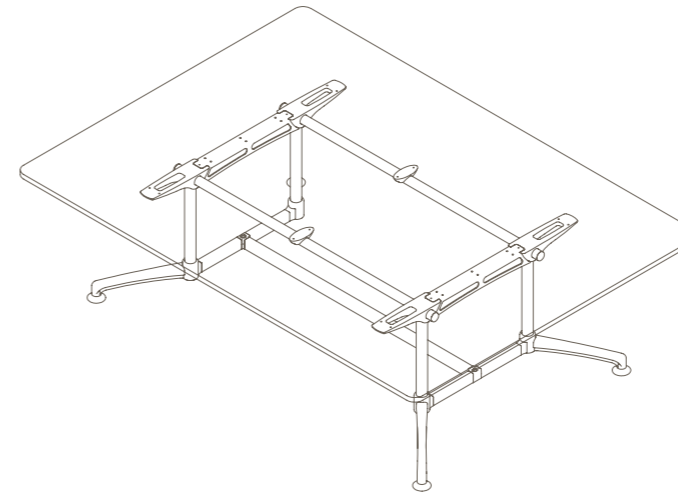


TABLE (725MM HEIGHT)

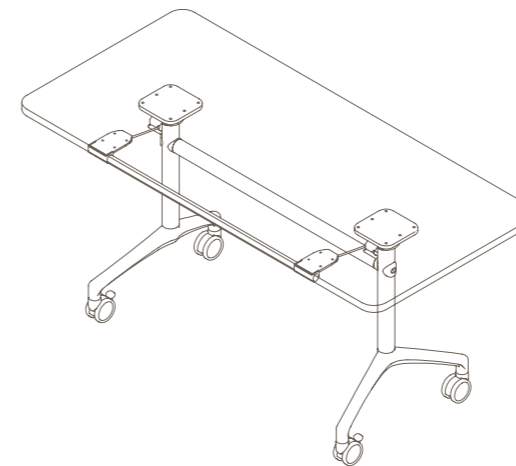
Round Table on Castors

Dimensions	W	1200-2700mm
	D	1150-2100mm
	H	725mm



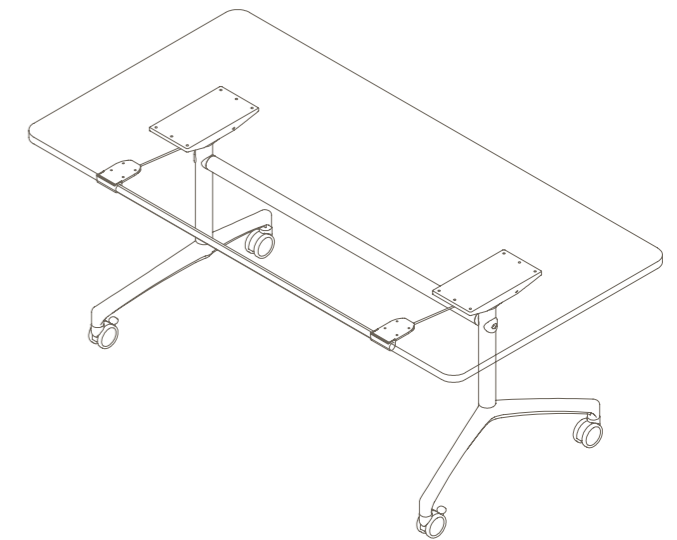
Folding Table on Castors

Dimensions	W	850-2100mm
	D	600-800mm
	H	725mm



Folding Table on Castors - Large

Dimensions	W	900-2100mm
	D	800-1000mm
	H	725mm





AWM. AMAROO

AWM is committed to adopting processes and practices aimed at reducing our environmental footprint whilst maintaining a superior level of quality. As a result of our diligence and leadership within this area, AWM is certified for a number of quality and environmental accreditations that acknowledge our commitment to producing superior quality products with as minimal environmental impact as possible.



ISO 9001
Quality
Management



ISO 14001
Environmental
Management



ISO 45001
Health & Safety
Management

E. sales@awm.net.au
P. 1300 475 217

Sydney Showroom
118 Commonwealth St
Surry Hills, NSW 2010

Fairfield Factory
9 Malta St
Fairfield East, NSW 2165

Melbourne Showroom
132-134 Adderley St
West Melbourne, VIC 3003



AWM. AMAROO

Colour and swatches shown in this document are for reference only and may differ in actuality. Copyright AWM Amaroo. All concepts, photography and ideas contained within this document are private and confidential. They must not be reproduced in any way or form and remain the intellectual property of awm. All products are registered designs with ip australia.