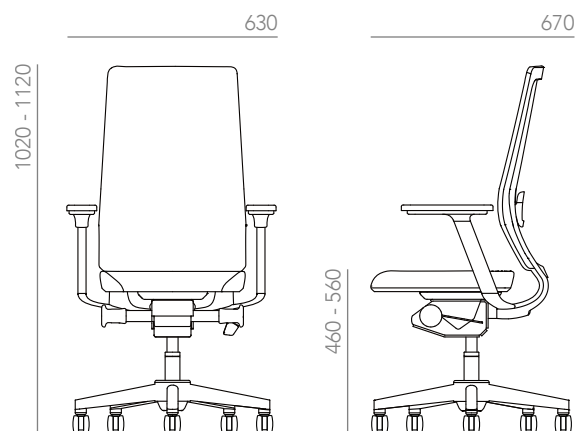


Q5 Task Chair.

Specifications



Q5 fits seamlessly into any workplace where simple aesthetics and natural movement matter. Meeting the highest global standard for quality and safety, Q5's ergonomic technology and adjustable features belie its price.

Features

- Seat tilt and height adjustment
- Synchronous mechanism with side-winding tension control
- 'Seat Slide' feature allowing seat depth adjustment
- Height adjustable lumbar system
- Available with 3D Armrests: height, depth and width adjust
- High density moulded foam seat
- Premium fire retardant mesh
- Drafting kit available

Dimensions (mm)

H 1020 - 1120 x W 630 x
D 670
SH 460 - 560 x SW 480

135kg Weight Capacity

ANSI/BIFMA X5.1-2011

10 Year Warranty