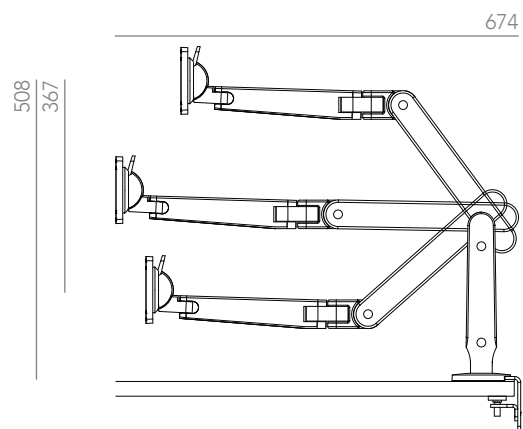




**Ollin.**

# Ollin Monitor Arm.

## Specifications



Ollin's smooth articulation and responsive movement gives users fingertip control of their screens. This ease of adjustment naturally invites better posture: because it's so easy to move the screen to exactly the right position, users do it without even noticing.

### Features

- Tool-free adjustment by means of integral 'thumbwheel' adjuster
- Innovative 'Technical Cord' system for smooth adjustment
- Integrated 3-point cable management
- Landscape to portrait monitor rotation
- +80°/-10° adjustable tilt range
- Suits 75 and 100mm VESA
- Available in black, white or silver
- Laptop tray attachment available
- Compatible with Ollin Dual Bar

### Reach (mm)

Forward Adjustment: 674  
Vertical Adjustment: 367

0-9kg Weight Capacity

Lead Time: 2 - 3 Weeks

Lifetime Warranty