

60 x 30.

Specifications



The 60x30 fixed height workstation range by AWM is a contemporary extension of our classic Delta Workstation range. Available in the same two leg designs; A and U, and supporting single, back-to-back, 90 degree and 120 degree workstation configurations; the 60x30 offers a refined alternative for fixed height workstations.

The 60x30 range is compatible with AWM's full range of workstation screens, accessories and power & data offerings.

AWM's 60x30 workstations are manufactured and assembled in our Sydney factory, guaranteeing the highest standards of quality, functionality and sustainability.

Lead Time: 3 - 4 Weeks

10 Year Warranty

GECA Level A Certified

AFRDI Blue Tick Certified



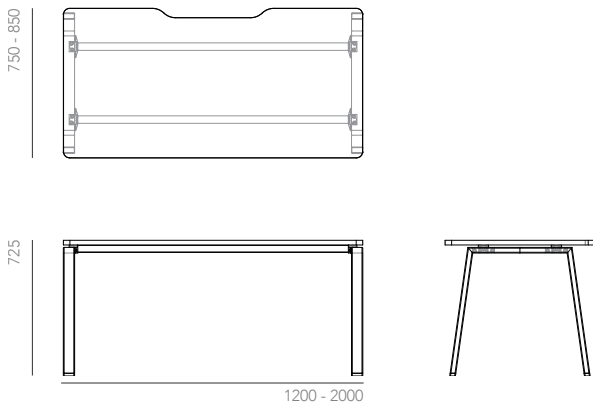
60 x 30.

Typical Configurations

Warranty	10 Years
Lead Time	3 - 4 Weeks
Manufacture	Australia
Leg Profiles	60 x 30mm Rectangular Section Available in A Leg, Timber A Leg, and U Leg
Height	725mm (including 25mm desktop)
Finishes	Frame: Black (RAL 9005), White (RAL 9016) Timber Insert: White Ash, Tasmanian Oak
Accreditations	GECA Certified Level A AFRDI Blue Tick Certified

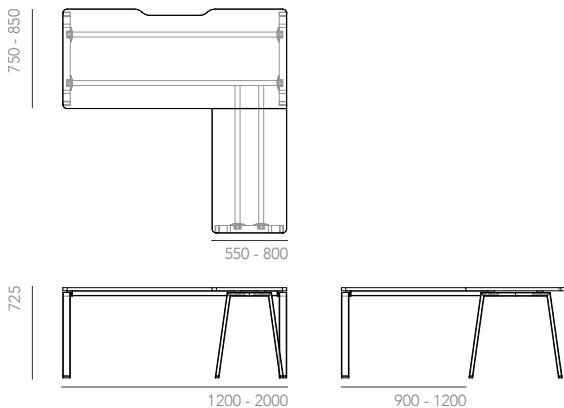
Single Sided

750mmW or 550mmW End Profiles



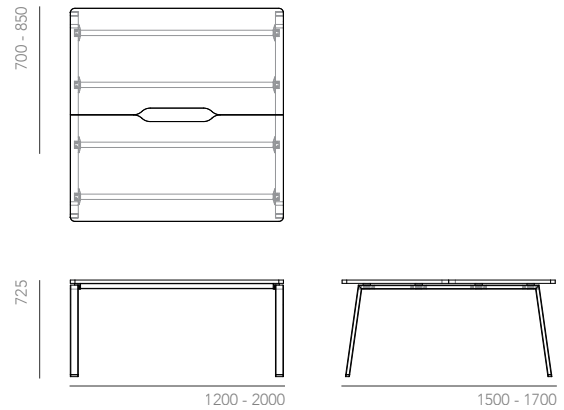
90°

750mmW and/or 550mmW End Profiles



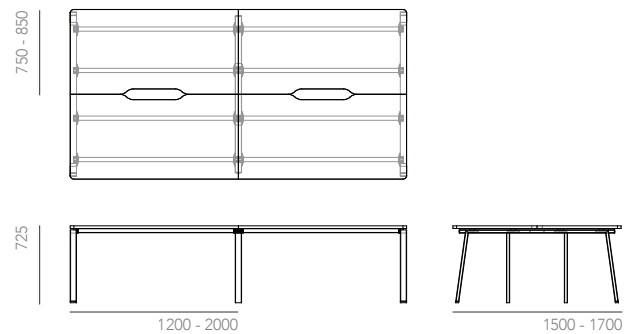
Back-to-Back

1550mmW End Profile



Back-to-Back Cluster

1550mmW End Profile



120°

1550mmW End Profile

