

Pinnacle.

Specifications



AWM Pinnacle workstations offer a competitive sit-to-stand workstation system utilising quality components. Pinnacle is suitable for any office application, available in a range of configurations and sizes.

Equipped with an intelligent handset with four memory positions, an integrated anti-collision sensor and low standby power use. Pinnacle workstations support AWM's full range of workstation screen, cable management, and power and data systems.

Lead Time: 3 - 4 Weeks

10 Year Warranty

GECA Level A Certified

Made in Australia



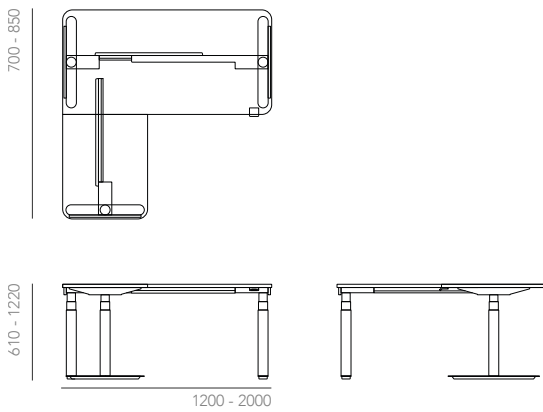
Pinnacle.

Typical Configurations

Warranty	10 Years
Lead Time	3 - 4 Weeks
Leg Profiles	Round - Ø70mm outer profile Rectangle - 60 x 100mm outer profile
Height Range	610 - 1220mm (including 25mm desktop)
Speed	40mm/s
Handset	4 Memory Positions
Anti-Collision	Integrated sensor
Finishes	Black (RAL 9005) or White (RAL 9016)
Certificates	GECA Level A Certified Australian Made

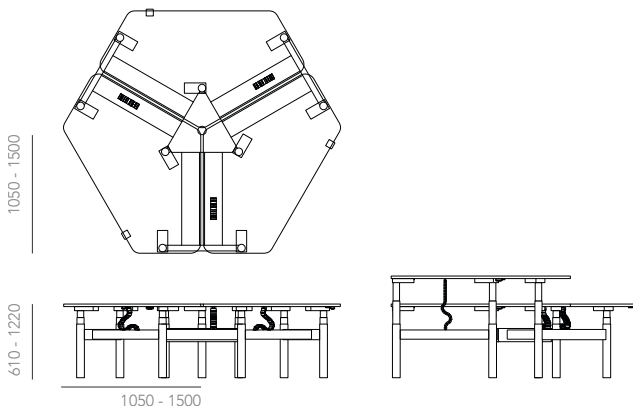
L-Shaped

3 x Motors per Workpoint



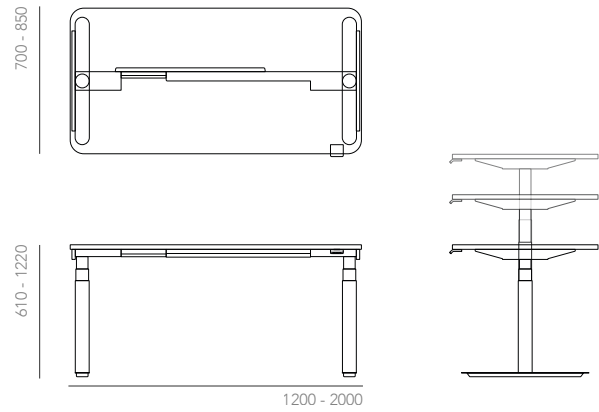
120°

3 x Motors per Workpoint



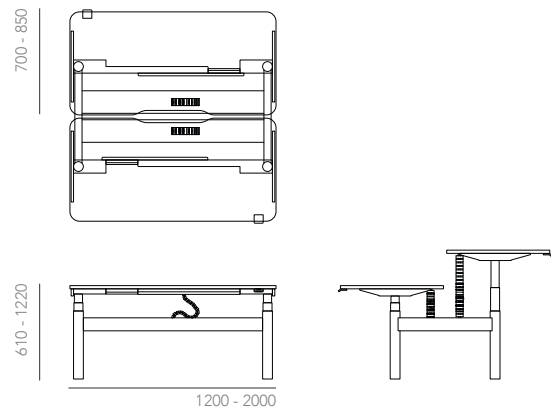
Single Sided

2 x Motors per Workpoint



Back-to-Back

2 x Motors per Workpoint



Quad

3 x Motors per Workpoint

