

# Flo X.

**AWM**

**AWM  
AMAROO**

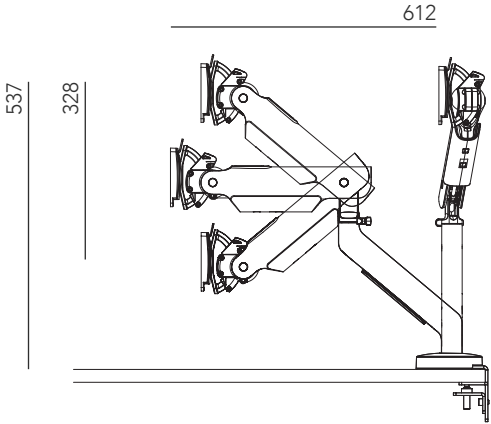
1300 475 217

[awm.net.au](http://awm.net.au)

[sales@awm.net.au](mailto:sales@awm.net.au)

# Flo X Monitor Arm.

## Specifications



Flo X is capable of holding larger and heavier screens, as well as dual and triple monitors. Its dynamic functionality and considered ergonomics mean you can quickly and easily establish the optimal working position, enhancing productivity and wellbeing.

### Features

- Innovative dual spring technology for smooth movement
- Spring system can be configured to suit lower weight range if required
- D-ring tilt offers adjustment to mount a range of screen formats
- Weight gauge reduces install time and provides consistent performance
- Integrated cable management
- Suits 75 and 100mm VESA
- Available in black, silver, or silver

### Reach (mm)

Forward Adjustment: 612  
Vertical Adjustment: 328

3-18kg Weight Capacity

Lead Time: 4 - 6 Weeks

12 Year Warranty