

Flo X Single Arm

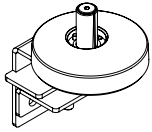
Installation Guide



FIT DESK FIXING TO WORKSURFACE

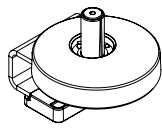
1

Follow instructions provided with chosen desk fixing



FLO X SPLIT CLAMP

FLX/018/AS01

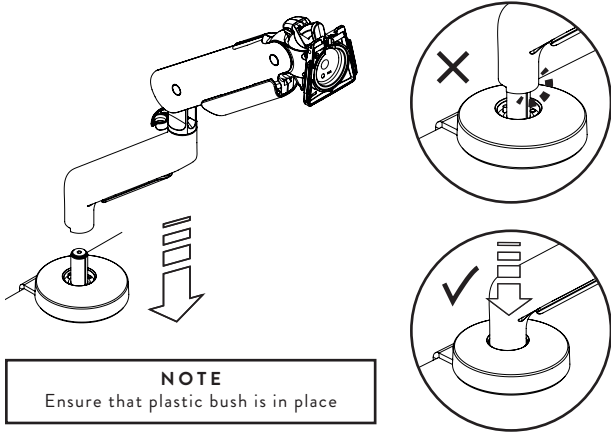


FLO X TOP MOUNT CLAMP

FLX/018/C07

FIT MONITOR ARM TO CLAMP

2



NOTE

Ensure that plastic bush is in place

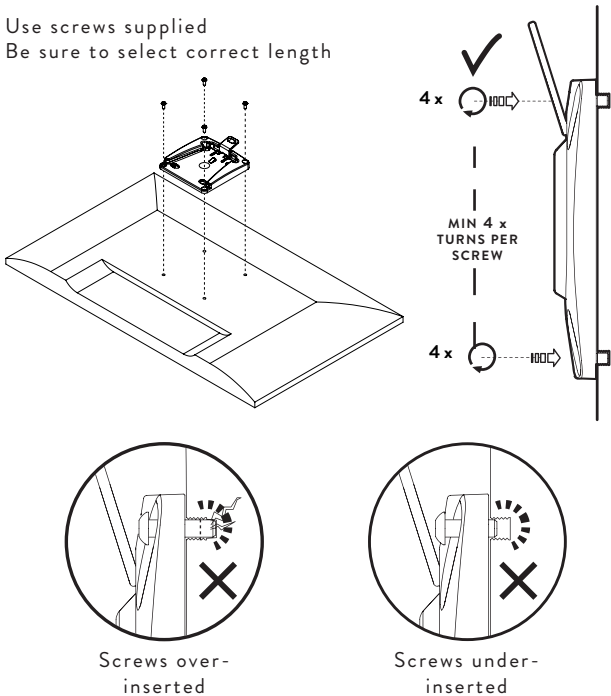
IMPORTANT

Ensure that arm is pushed fully down onto clamp

ATTACH VESA PLATE TO MONITOR

3

Use screws supplied
Be sure to select correct length



Screws over-inserted

Screws under-inserted

IMPORTANT

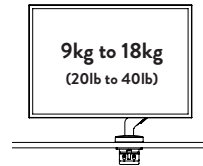
It is the responsibility of the installer to ensure all mounting screws are properly engaged with a minimum of 4 x 360° turns into the display. Under or over insertion may cause damage to the equipment or injury to personnel.



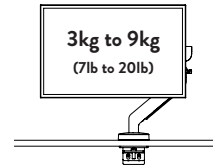
OPTIONAL STEP DUAL SPRING CONFIGURATION

4

If the monitor to be mounted weighs less than 9kg (20lb), you may need to configure the Flo X Dual Spring mechanism to suit the lower weight range.



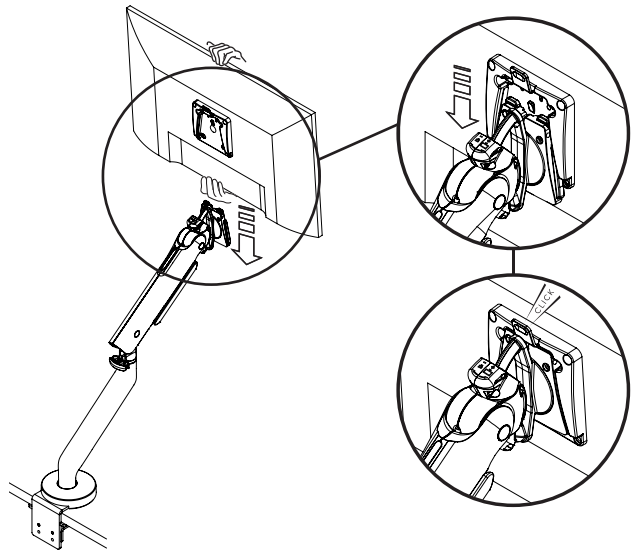
Factory set dual spring configuration is suitable.
Go to step 5



Dual spring mechanism will need to be reconfigured to lower weight range.
See step 12

MOUNT MONITOR TO ARM

5

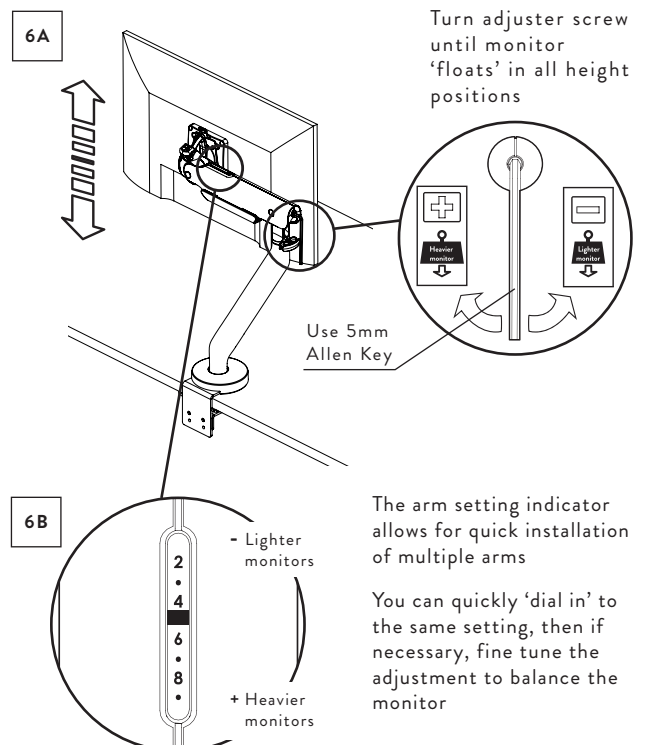


NOTE

See Optional Step 10 for Security Screw installation

ADJUST ARM TO SUIT WEIGHT OF MONITOR

6



Turn adjuster screw until monitor 'floats' in all height positions

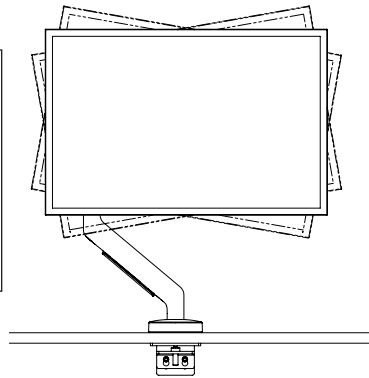
Use 5mm Allen Key

The arm setting indicator allows for quick installation of multiple arms

You can quickly 'dial in' to the same setting, then if necessary, fine tune the adjustment to balance the monitor

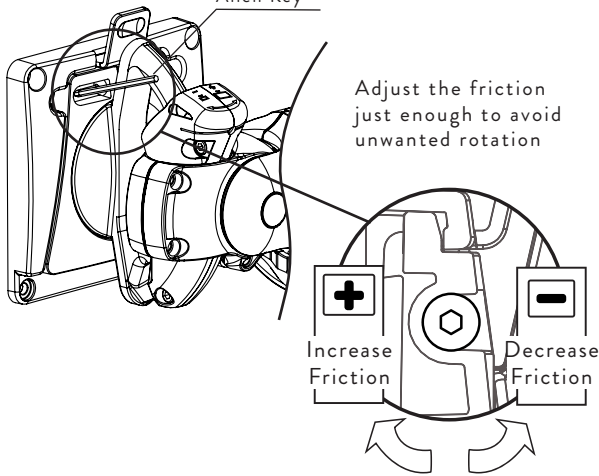
OPTIONAL STEP VESA FRICION ADJUSTMENT (if required) 7

IMPORTANT
Portrait-to-landscape monitor rotation is factory-set for optimum performance, however if the monitor droops sideways, rotation friction can be adjusted as described below.



Use 2.5mm Allen Key

Adjust the friction just enough to avoid unwanted rotation

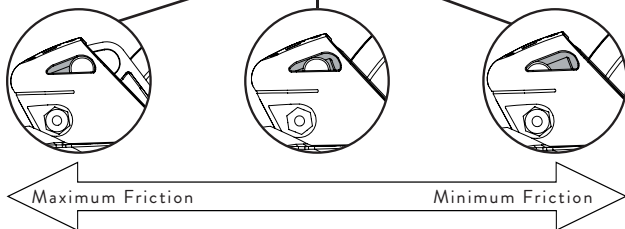
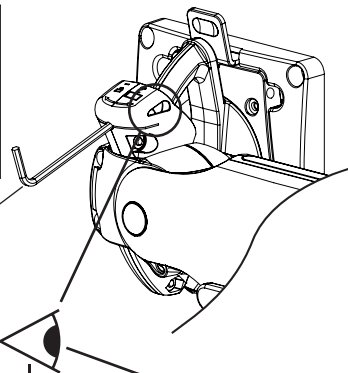


OPTIONAL STEP TILT HEAD FRICION ADJUSTMENT (if required) 8

IMPORTANT
Monitor tilt should balance with factory settings. If monitor droops, adjust friction using adjuster screw beneath tilt joint

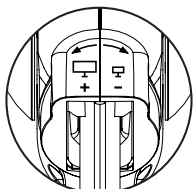
Use 3mm Allen Key

Note the position of the silver disc, indicating how much friction is applied to the monitor tilt.



Adjust the tilt friction just enough to avoid unwanted monitor droop.

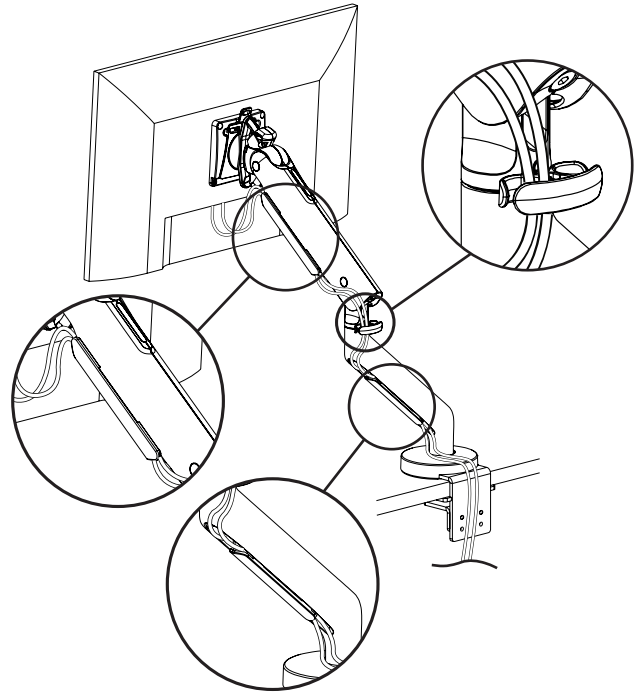
For heavy monitors turn the allen key to the left (in direction of the arrow).



For lighter monitors turn the allen key to the right (in direction of the arrow).

Note that drawing shows the top of the tilt head as viewed over the monitor from the front of the desk.

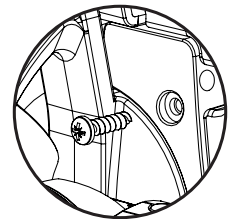
INSTALL CABLES 9



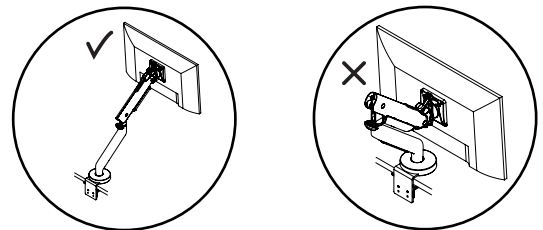
IMPORTANT
Ensure that you allow enough free cable for easy monitor movement in all directions

OPTIONAL STEP SECURITY SCREW 10

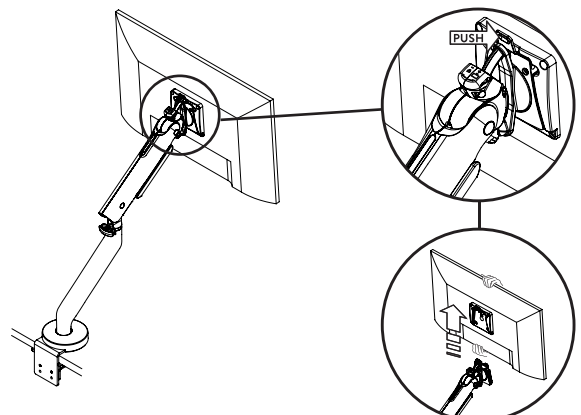
Security screw locks monitor to arm



TO REMOVE MONITOR 11



IMPORTANT
Raise arm to uppermost position before removing monitor otherwise it may spring up when unloaded.



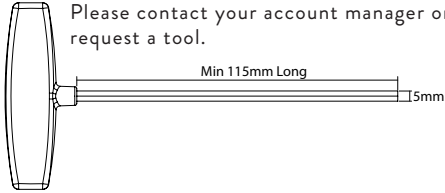
OPTIONAL STEP DUAL SPRING CONFIGURATION

12

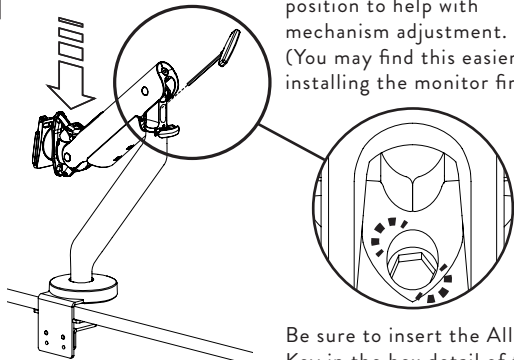
If the monitor to be mounted weighs less than 9kg (20lb) you may need to reconfigure the dual spring mechanism to the lower weight range.

An extra long T-Bar Allen Key is required to perform this adjustment - see guidance drawing below. This tool is not supplied with Flo X.

If you do not have a suitable tool, we can supply one. Please contact your account manager or dealer to request a tool.



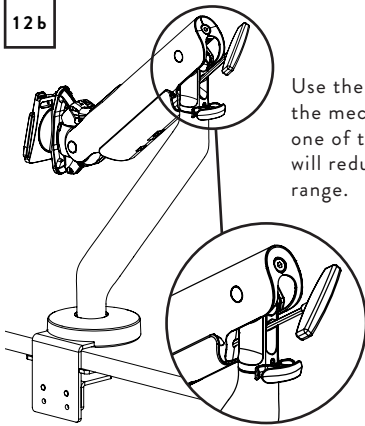
12 a



Hold the arm in its lowest position to help with mechanism adjustment. (You may find this easier by installing the monitor first.)

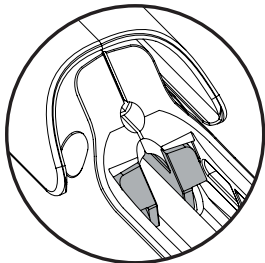
Be sure to insert the Allen Key in the hex detail of the lower hole.

12 b



Use the 5mm Allen Key to adjust the mechanism. This will disengage one of the Flo X dual springs and will reduce the weight support range.

IMPORTANT
Turn the screw anti-clockwise to the **end of its travel and fully tighten** to disengage one of the Flo X dual springs.



The spring is fully disengaged when the plastic wedge on the underside of the arm (shown in grey left) is drawn fully forwards and level with the arm body.

TO RETURN TO FACTORY SET DUAL SPRING:

If Flo X Dual Spring mechanism has already been configured to low weight range, it can be returned to high load range by repeating the above process, except turning the adjuster screw clockwise until the mechanism reaches the end of its travel.

WARNING

- Ensure desk/work surface/wall/partition is suitable to take the weight of the arm/s and monitors.
- Do not use this product for any purpose other than that for which it was designed.
- Supported weight must not exceed 18kg (40lb) per arm.
- Hold the monitor tightly when making adjustments.
- Care should be taken to avoid trapping fingers.
- Do not dismantle or remodel the arms.
- Do not attach the monitor before assembling arm.
- Some monitors have recesses and may require spacers or a 75mm VESA plate.
- The screws supplied for the installation of the arm are supplied in good faith and with the intention that they will be used with the correct monitor, namely a monitor with VESA mounting holes. Please therefore check before attempting installation that you have the appropriate equipment on which to carry out the installation. CBS cannot be held liable for any damage caused to your equipment resulting from a failure to make this check. Please also carefully read the installation instructions to ensure correct fixing.

MAINTENANCE AND INSPECTION

- Ensure all screws are tightened and occasionally adjust if needed.
- Clean with a damp cloth, NO solvent.

DISCLAIMER

As part of Colebrook Bosson Saunders ongoing product improvement programme, the design of products may change without prior notice and details may vary from those illustrated.