

AWM

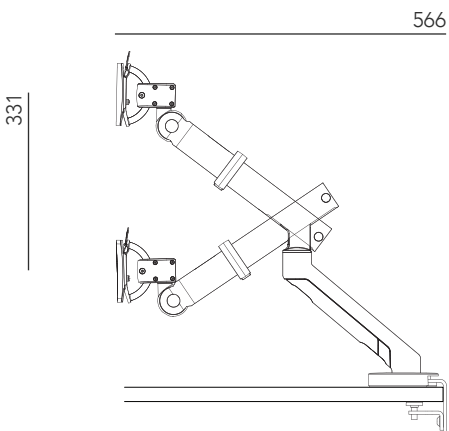
**AWM
AMARO**



Flo Plus.

Flo Plus Monitor Arm.

Specifications



	Features	Reach (mm)
<p>Flo Plus is the ‘big brother’ of the award-winning Flo monitor arm, it combines the same aesthetic design with similar functionality and can be used in single or dual screen format to provide an unrivalled ergonomic solution for using high-load screens.</p>	<ul style="list-style-type: none"> - Smooth, dynamic movement through patented Flo Spring Technology - Weight gauge reduces install time and provides consistent performance - Integrated cable management - Suits 75 and 100mm VESA - Available in white finish only - Dual bar available to support offset screen weights of up to 15kg 	<p>Forward Adjustment: 566</p> <p>Vertical Adjustment: 331</p>
		<p>8.5-15kg Weight Capacity</p> <p>Lead Time: 4 - 6 Weeks</p> <p>Lifetime Warranty</p>