

# Flo Plus Single Arm

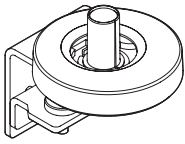
Installation Guide



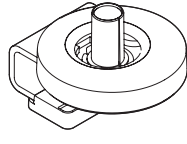
## FIT DESK FIXING TO WORKSURFACE

1

Follow separate worksurface fixing installation instructions



**FLO PLUS SPLIT CLAMP**  
DYN/026/A35



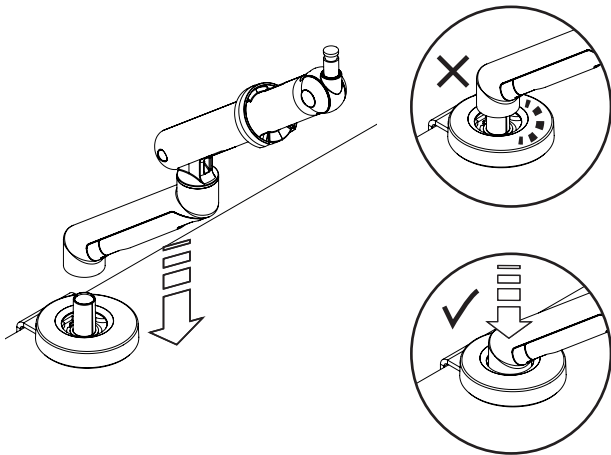
**FLO PLUS TOP MOUNT CLAMP**  
DYN/026/A34

### NOTE

Use M4 Allen key for desk fixings which is supplied with Monitor Arm

## FIT MONITOR ARM TO CLAMP

2

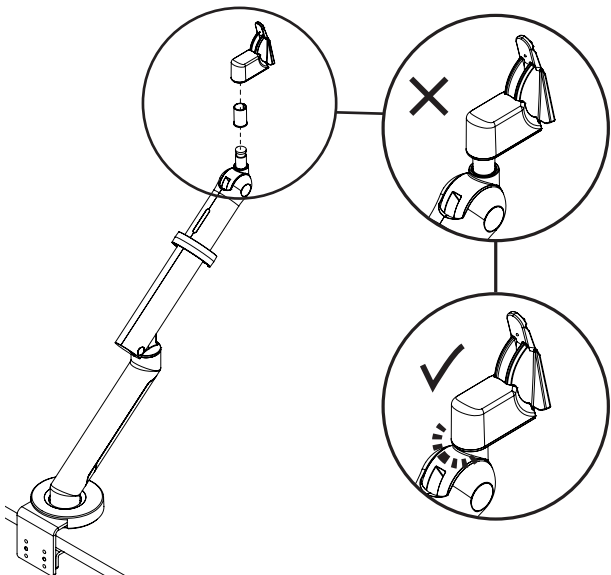


### IMPORTANT

Ensure that arm is pushed fully down onto clamp

## FIT THE SINGLE HEAD

3

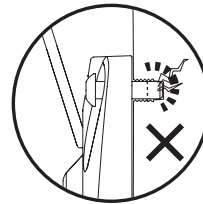
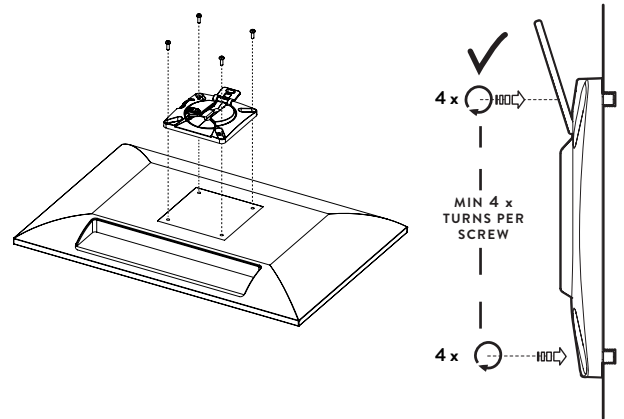


1300 475 217

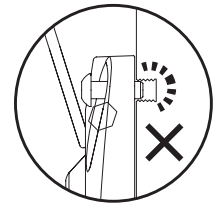
## ATTACH MONITOR MOUNT PLATE TO MONITOR

4

Use screws supplied  
Be sure to select correct length



Screws over-inserted



Screws under-inserted

### IMPORTANT

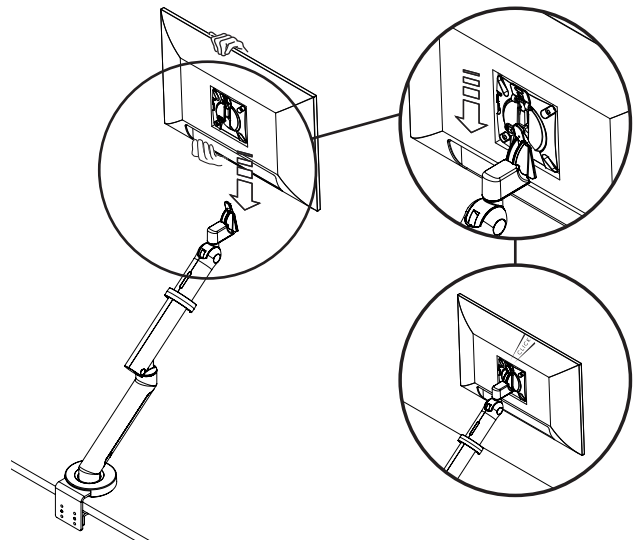
It is the responsibility of the installer to ensure all mounting screws are properly engaged with a minimum of 4 x 360° turns into the display. Under or over insertion may cause damage to the equipment or injury to personnel.

**MAX**  
SCREEN WEIGHT  
15KG/33LB



## MOUNT MONITOR TO ARM

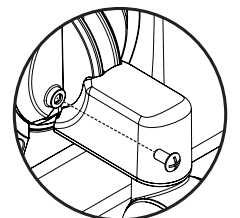
5



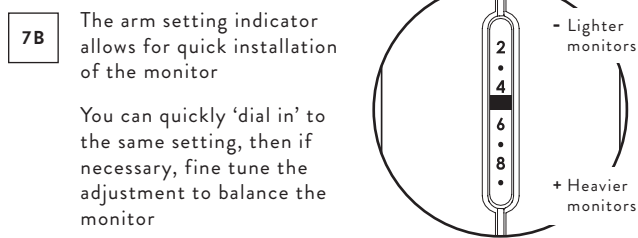
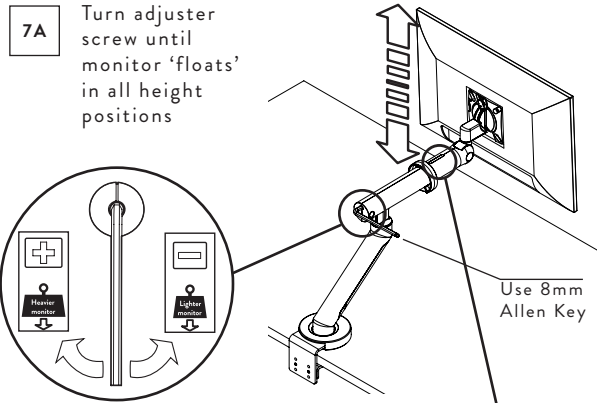
## OPTIONAL SECURITY SCREW

6

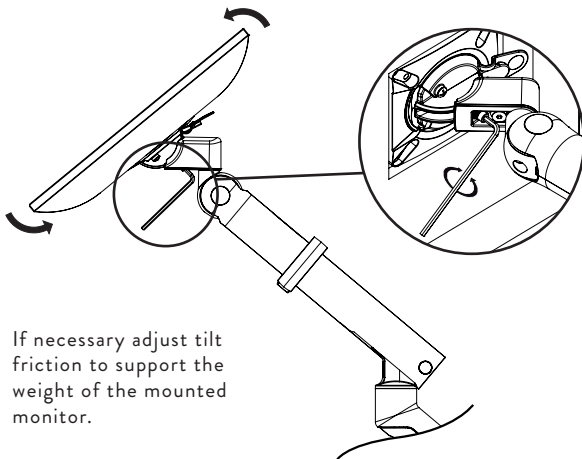
Security screw locks monitor to arm



### ADJUST ARM TO SUIT WEIGHT OF MONITORS

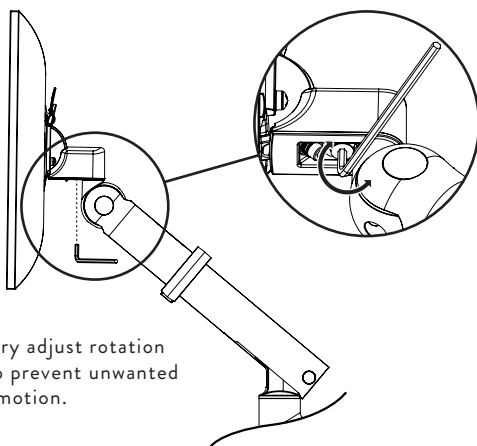


### ADJUST MONITOR TILT FRICTION IF REQUIRED



If necessary adjust tilt friction to support the weight of the mounted monitor.

### ADJUST HEAD ROTATION FRICTION IF REQUIRED



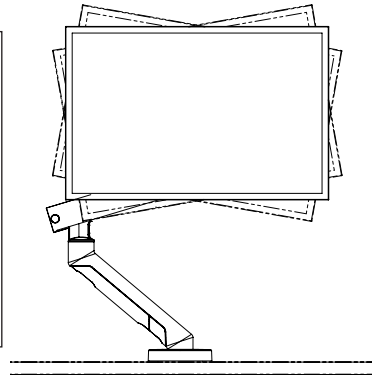
If necessary adjust rotation friction to prevent unwanted sideways motion.

### OPTIONAL VESA FRICTION ADJUSTMENT

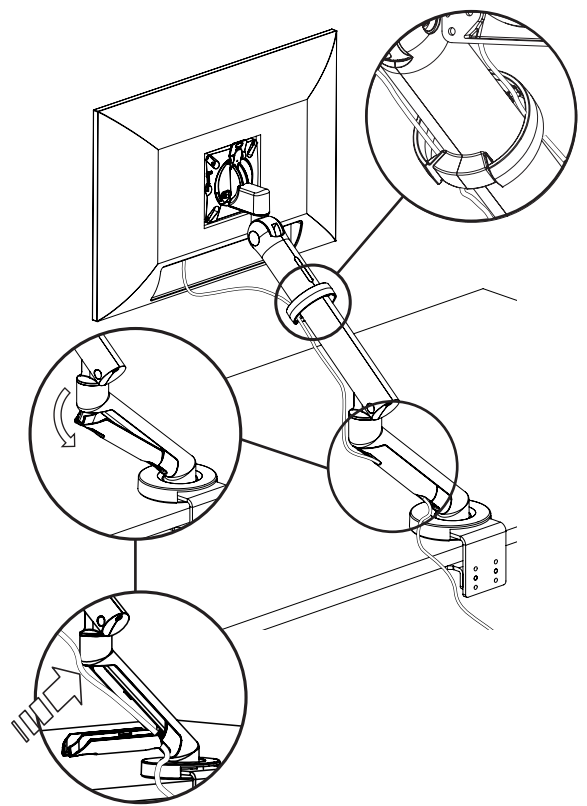
**IMPORTANT**

Portrait-to-landscape monitor rotation is factory-set for optimum performance, however if the monitor droops sideways, rotation friction can be adjusted.

See additional instructions for VESA friction adjustment.



### INSTALL CABLES

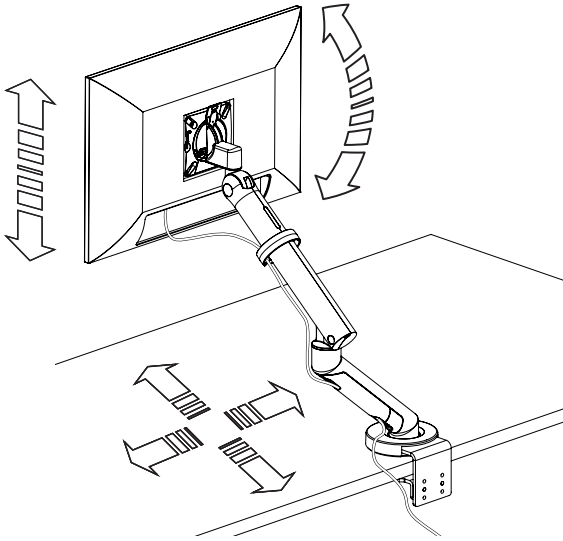


**USEFUL TIP**

Ensure you have allowed enough free cable for screen rotation

## USING YOUR FLO PLUS ARM

12



### WARNING

- Ensure desk/work surface/wall/partition is suitable to take the weight of the arm/s and monitors.
  - Do not use this product for any purpose other than that for which it was designed.
  - Supported weight must not exceed 15kg (33lb) per arm.
  - Hold the monitor tightly when making adjustments.
  - Care should be taken to avoid trapping fingers.
  - Do not dismantle or remodel the arms.
  - Do not attach the monitor before assembling arm.
- Some monitors have recesses and may require spacers or a 75mm VESA plate.
- The screws supplied for the installation of the arm are supplied in good faith and with the intention that they will be used with the correct monitor, namely a monitor with VESA mounting holes. Please therefore check before attempting installation that you have the appropriate equipment on which to carry out the installation. CBS cannot be held liable for any damage caused to your equipment resulting from a failure to make this check. Please also carefully read the installation instructions to ensure correct fixing.

### MAINTENANCE AND INSPECTION

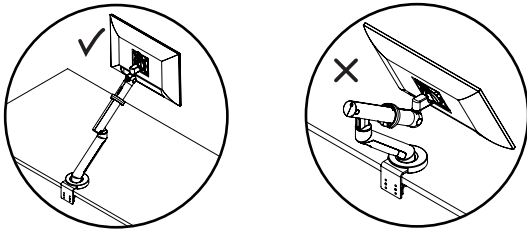
- Ensure all screws are tightened and occasionally adjust if needed.
- Clean with a damp cloth, NO solvent.

### DISCLAIMER

As part of Colebrook Bosson Saunders ongoing product improvement programme, the design of products may change without prior notice and details may vary from those illustrated.

## TO REMOVE MONITOR

13



### IMPORTANT

Raise arm to uppermost position before removing monitor otherwise it may spring up when unloaded.

