

**AWM**

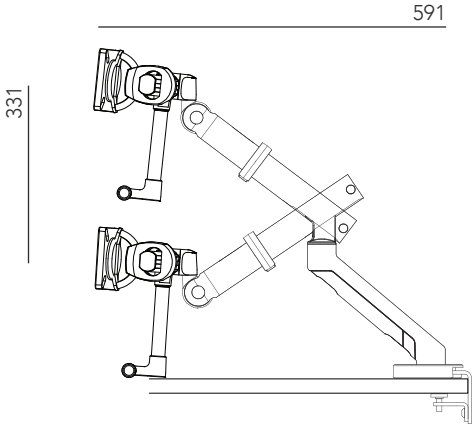
**AWM  
AMAROO**



# Flo Plus Dual Bar.

# Flo Plus Dual Bar.

## Specifications



	Features	Reach (mm)
<p>Flo Plus is the ideal dual monitor stand for supporting two high-load screens in a dynamic format. The screens do not move independently of each other but instead rotate from a central fixing point and can be positioned according to user requirements.</p>	<ul style="list-style-type: none"> <li>- Self-balancing tilt adjustment and levelling of individual monitors</li> <li>- Individual fine height adjustment to align monitors</li> <li>- Supports two monitors up to 24"</li> <li>- Fitted with adjustable handle</li> <li>- Integrated cable management</li> <li>- Suits 75 and 100mm VESA</li> <li>- Available in white finish only</li> </ul>	<p>Forward Adjustment: 591</p> <p>Vertical Adjustment: 331</p>
		<p>8.5-15kg Weight Capacity</p> <p>Lead Time: 4 - 6 Weeks</p> <p>Lifetime Warranty</p>