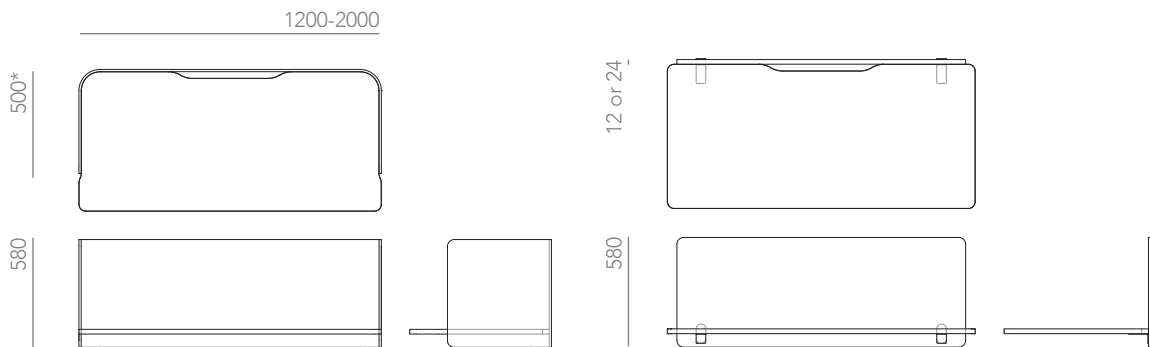


# Echopanel Screens.

## Specifications



\*Depth of return dictated by material sheet size and width of top, 500mm return typical to 1800mm wide top.

### Features

- 12mm or 24mm panel thickness
- Available as a wrap-around screen or linear panel
- Wrap-around screen has 100mm corner radius as standard
- Custom screen profile and corner radiuses
- Above-desk screen clamp for 12mm panel only
- Brackets available in black and white powder coat as standard

Lead Time: 3 - 4 Weeks

10 Year Warranty

AWM Echopanel screens utilise 12 or 24mm acoustic felt panels to provide a simple and effective workstation screen. The screen panels are cut in our Sydney factory, giving ultimate control over details including the shape and radius of the screen.

# Echopanel Screens.

## Gallery

