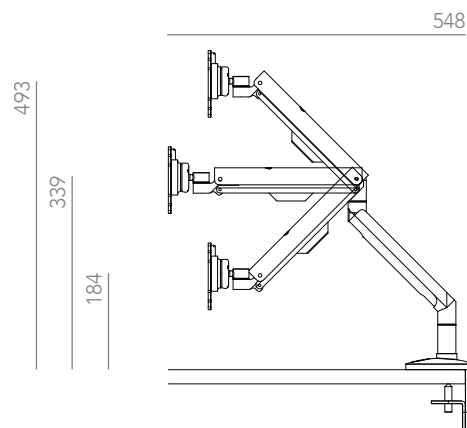


MA Monitor Arm.

Specifications



	Features	Reach (mm)
The AWM MA Monitor Arm features smooth articulation allowing for the easy adjustment of monitor position.	- 75 and 100mm VESA plate compatible	Forward Adjustment: 548
	- 360° on-the-fly portrait to landscape adjustment	Vertical Adjustment: 309
	- Quick-release VESA plate mount and ball joint connection for ease of install and user adjustability	2 - 8kg Weight Capacity
	- Integrated cable management	Lead Time: Stocked Item
	- Available as standard in black or white	5 Year Warranty
	- Laptop tray attachment available	