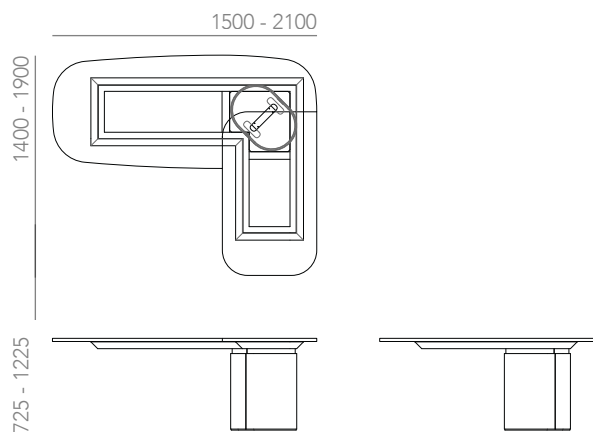


Drum+Base - Executive.

Specifications



Features

The Drum+Base Executive workstation combines refined materials with a distinctive cantilevered 90-degree work surface to offer a workstation to suit any executive space.

- Steel base and frame finished in Black (RAL 9005) or White (RAL 9016) powder coat as standard
- Available in fixed height or height adjustable (electronic sit-to-stand)
- Custom top profiles, sizes and edge details available
- Available in left or right sided layout
- Drum+Base structure must be fixed to floor

Lead Time: 3 - 4 Weeks

10 Year Warranty

Made in Australia

