

AF Series Monitor Arm

Single Arm Desktop Monitor Mount

Mounting Options

Bolt Through and Desk Clamp

Desk clamp

Suits desktop thicknesses of 0-76mm (0"-3")

Bolt Through

Suits desktop thicknesses of 12-40mm (0.5"-1.5")

Display Mounting Options VESA 75

x 75mm
VESA 100 x 100mm

Weight Range

Flat monitor 0-8kg (0 - 17.6lbs) **Curved monitor** 0-5.5kg (0 - 12lbs)

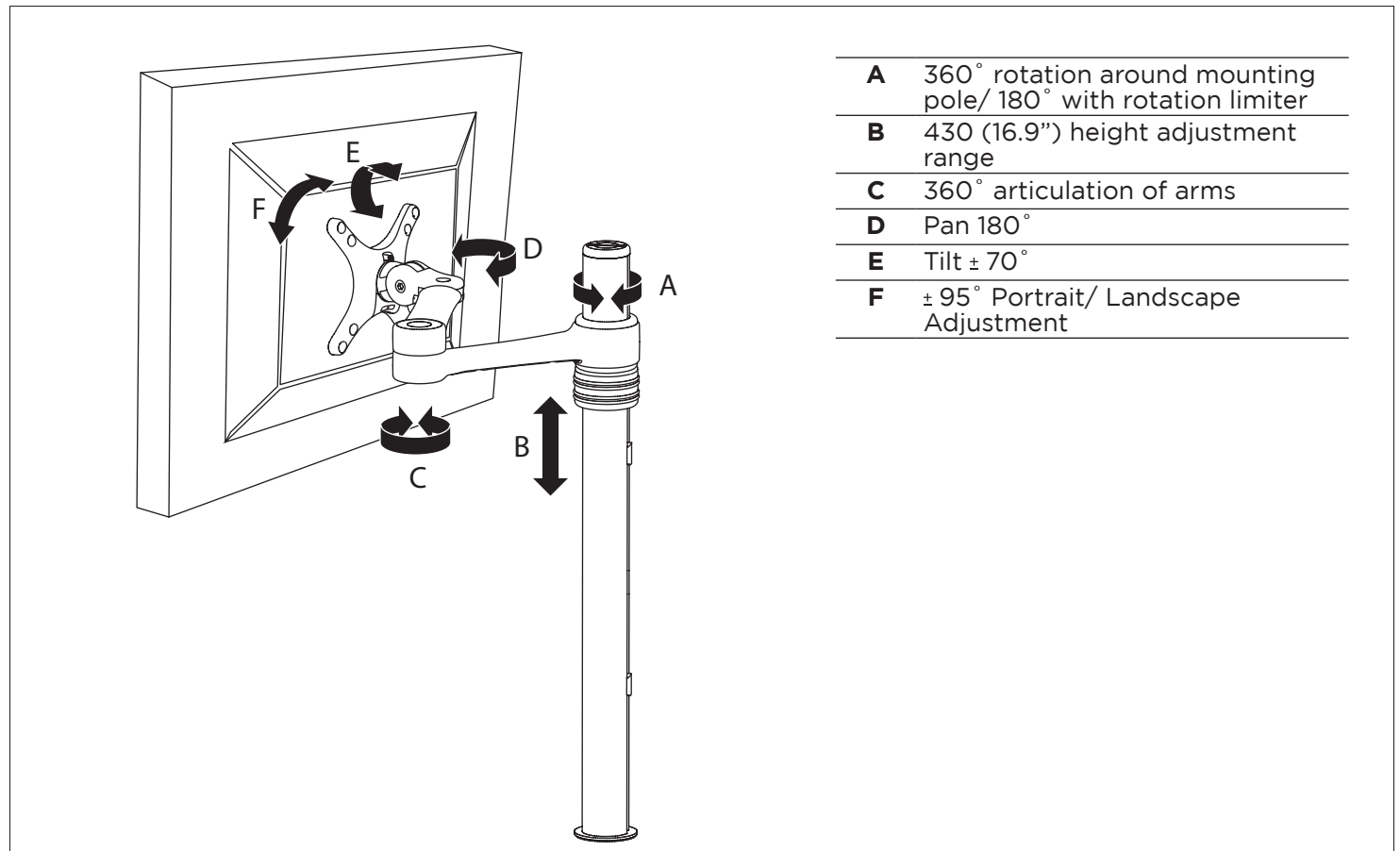
*Curved monitors, deep devices (such as all-in-one PCs) and offset VESA locations exert additional leverage that can exceed the capacity of the mount even though the monitor weight may be within the stated range. Please contact Atdec if you would like further information.

Consist of

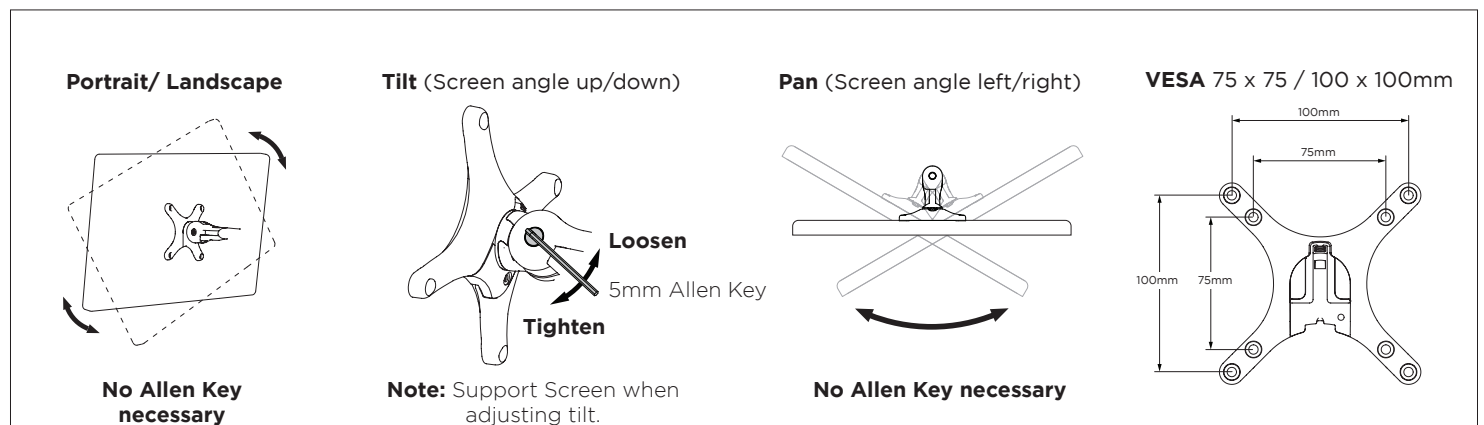
Monitor Arm Fasteners
Mounting Hardware

Warranty

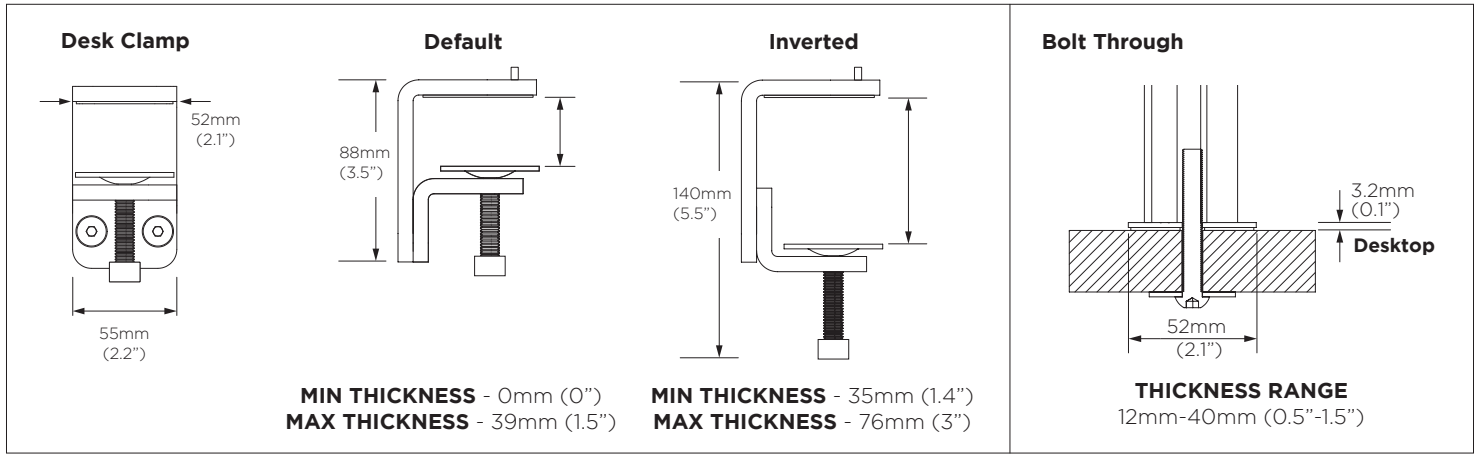
10 years limited



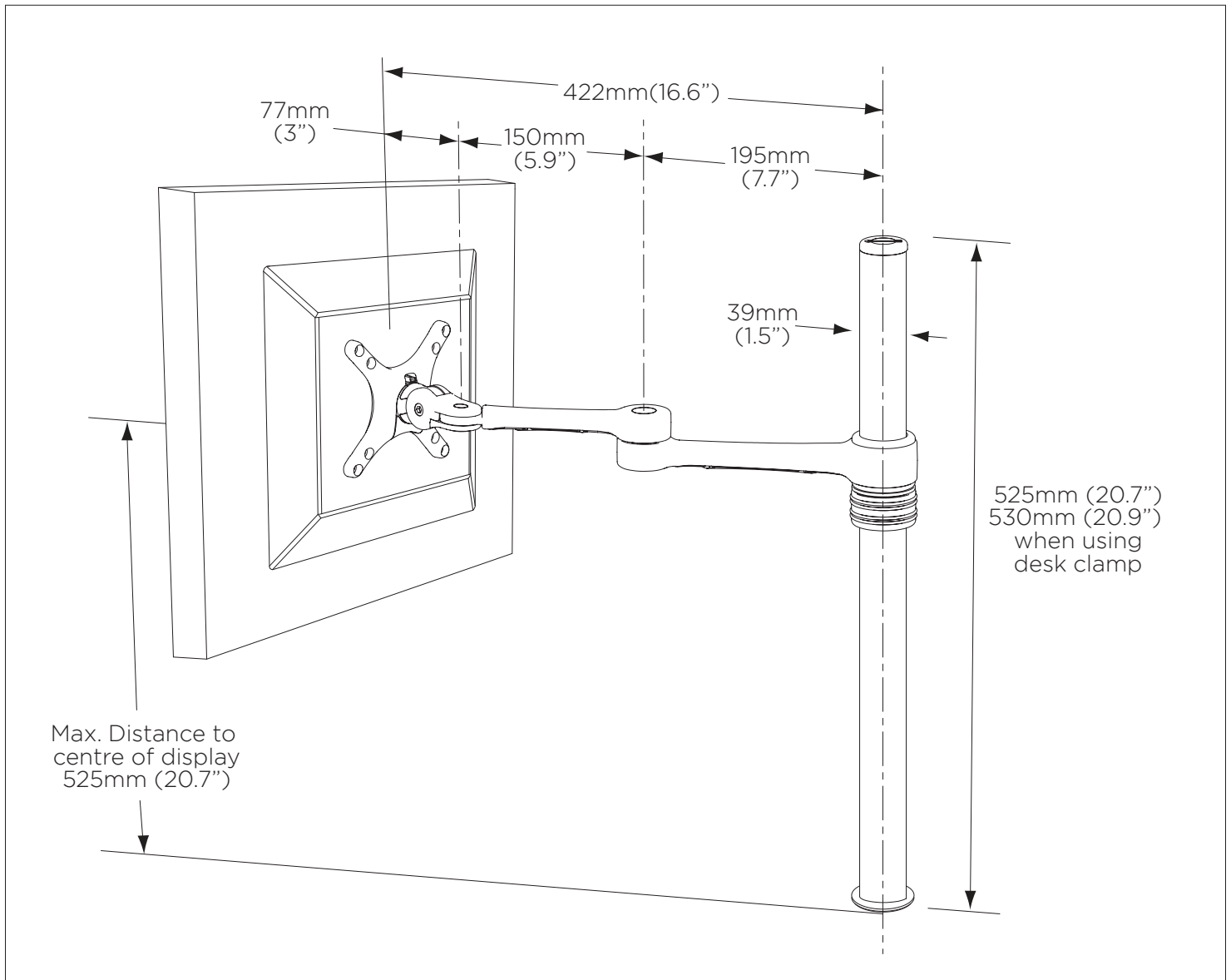
- | | |
|----------|--|
| A | 360° rotation around mounting pole/ 180° with rotation limiter |
| B | 430 (16.9") height adjustment range |
| C | 360° articulation of arms |
| D | Pan 180° |
| E | Tilt ± 70° |
| F | ± 95° Portrait/ Landscape Adjustment |



Mounting Options



Overall Dimensions



Dual Arm & Desktop Monitor Mount

Mounting Options

Double arm desktop monitor mount includes bolt through and desk clamp mount options.

Note Desk clamp mounting option is only suitable for displays in side by side configuration.

Desk Clamp

Suits desktop thicknesses of 0mm-76mm (0"-3")

Bolt Through

Suits desktop thicknesses of 12mm-40mm (0.5"-1.5")

Display Mounting Options

VESA 75 x 75mm

VESA 100 x 100mm

Weight Range

Flat monitor 0-8kg (0 - 17.6lbs)

Curved monitor 0-5.5kg (0 - 12lbs)

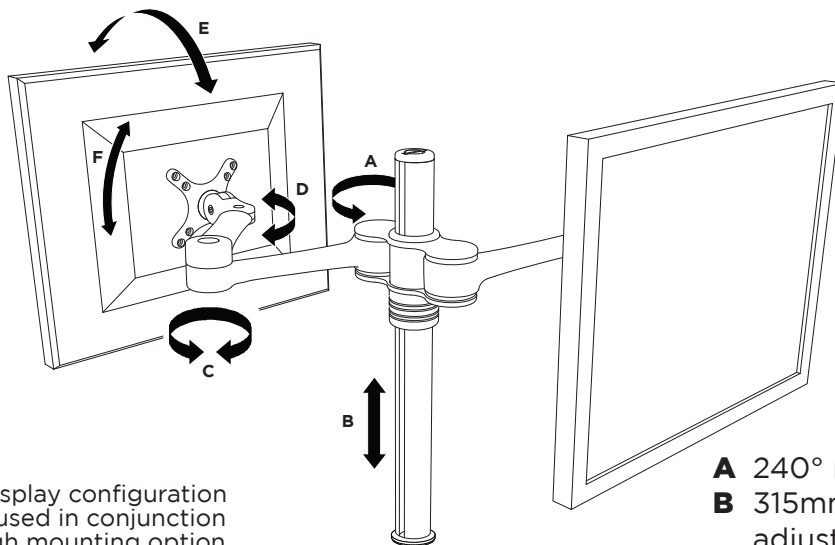
*Curved monitors, deep devices (such as all-in-one PCs) and offset VESA locations exert additional leverage that can exceed the capacity of the mount even though the monitor weight may be within the stated range. Please contact Atdec if you would like further information.

Consist of

Monitor arm
Fasteners
Mounting hardware

Warranty

10 years limited



Note

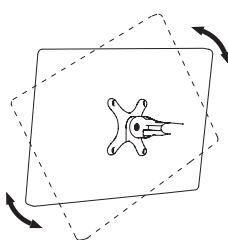
The back to back display configuration shown can only be used in conjunction with the bolt through mounting option.

The range of movement shown here applies to both arms of Visidec Focus articulated arm double

Please read the installation instructions before mounting Visidec Focus articulated arm double.

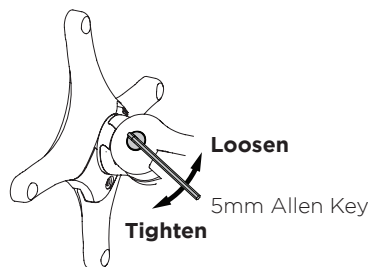
- A** 240° rotation at shoulder
- B** 315mm (12.5") height adjustment range
- C** 360° articulation of arms
- D** 180° pan adjustment
- E** Tilt $\pm 70^\circ$
- F** $\pm 95^\circ$ Portrait/landscape adjustment

Portrait/ Landscape



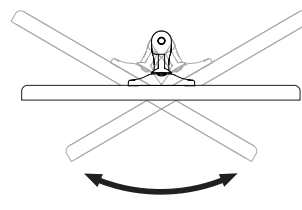
No Allen Key

Tilt (Screen angle up/down)



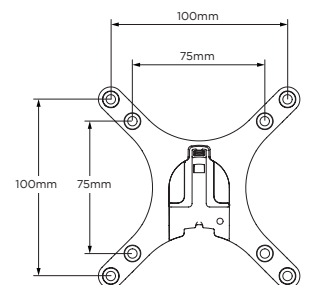
Note: Support Screen when adjusting tilt.

Pan (Screen angle left/right)

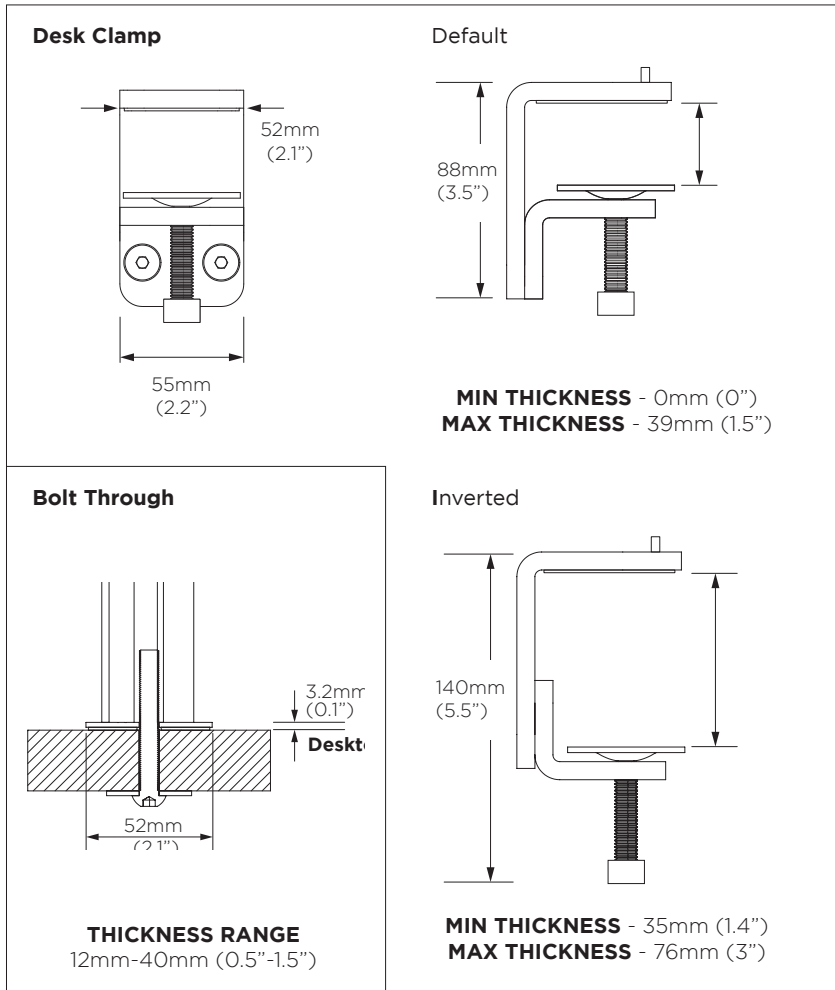


No Allen Key necessary

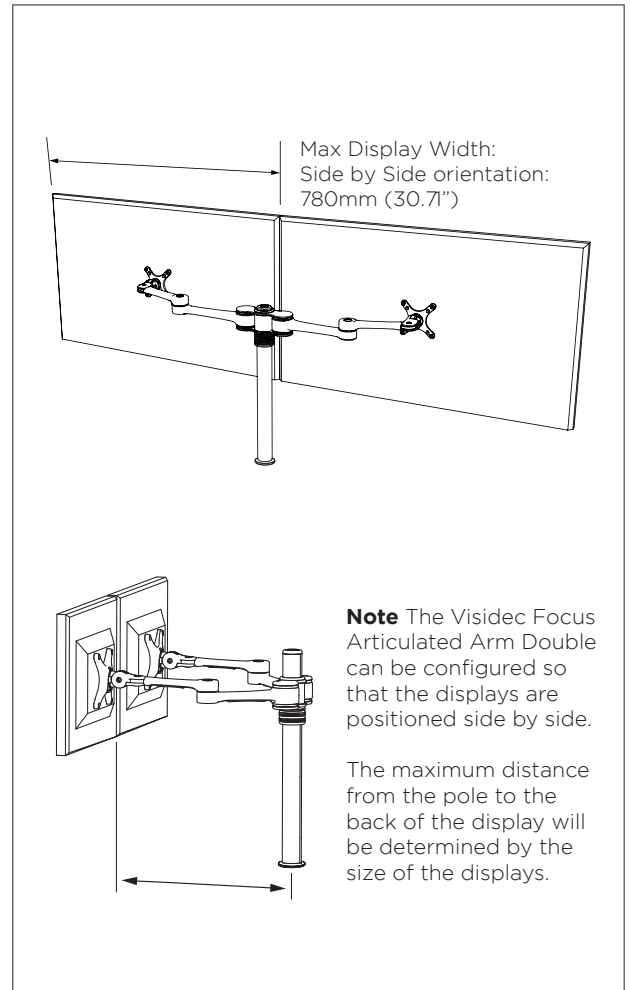
VESA 75 x 75 / 100 x 100mm



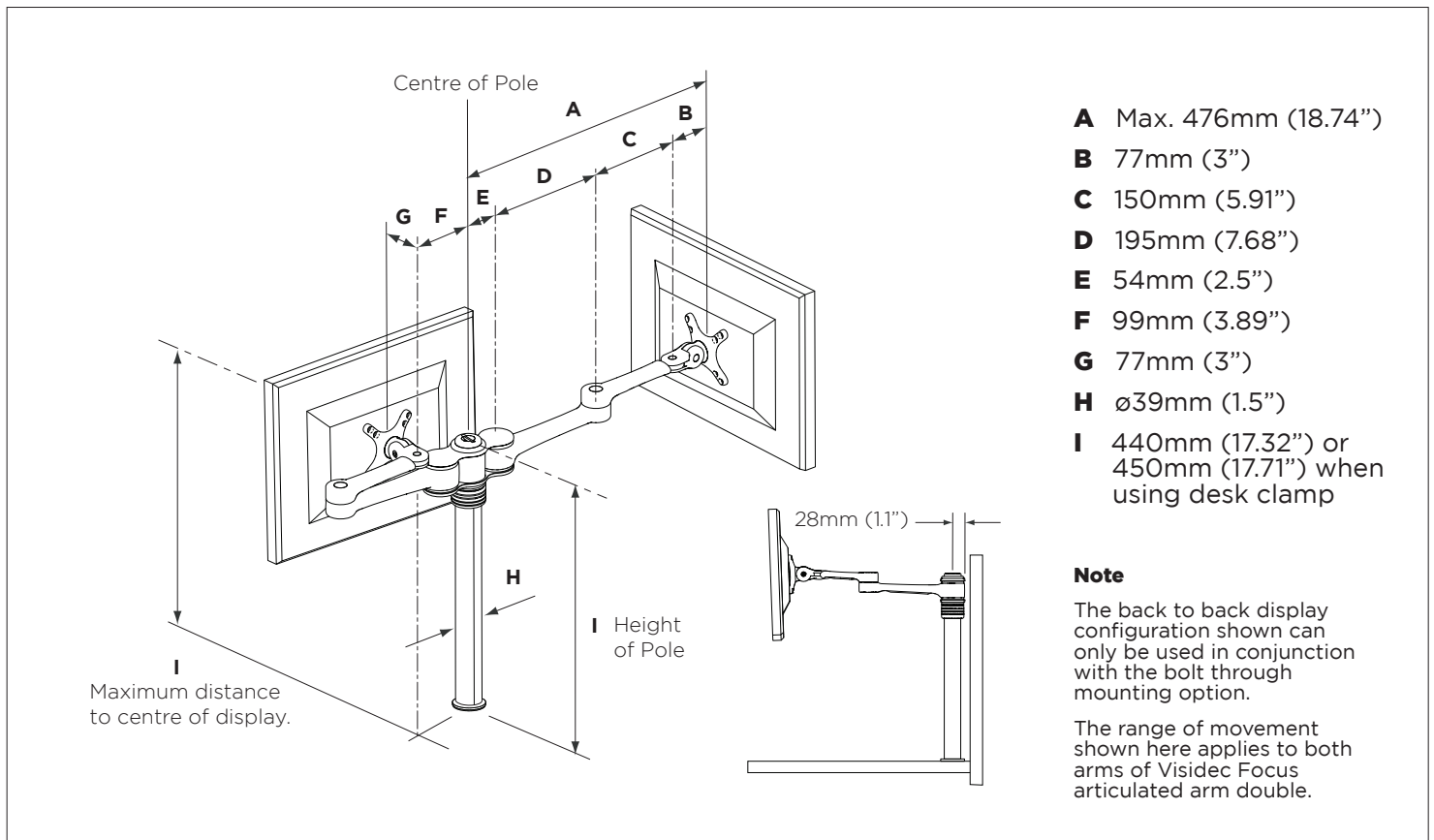
Mounting Options



Side By Side



Side By Side



Micro Desktop Monitor Mount

Mounting Options

Micro desktop monitor mount includes bolt through and desk clamp mounting options

Desk clamp

Suits desktop thicknesses of 0-76mm (0"-3")

Bolt Through

Suits desktop thicknesses of 12-40mm (0.5"-1.5")

Display Mounting Options

VESA 75 x 75mm

VESA 100 x 100mm

Weight Range

Flat monitor 0-8kg (0 - 17.6lbs)

Curved monitor 0-5.5kg (0 - 12lbs)

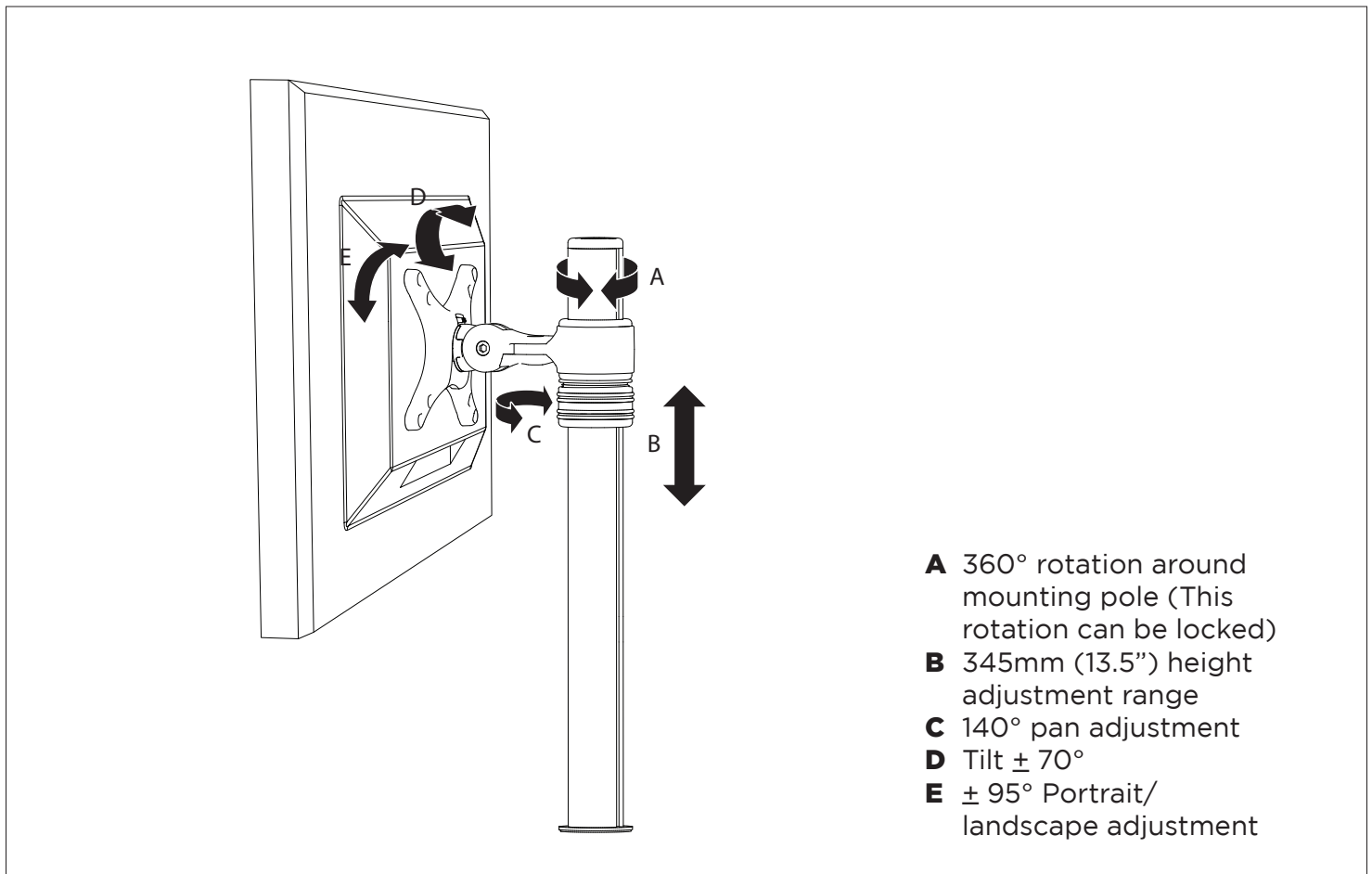
*Curved monitors, deep devices (such as all-in-one PCs) and offset VESA locations exert additional leverage that can exceed the capacity of the mount even though the monitor weight may be within the stated range. Please contact Atdec if you would like further information.

Consist of

Micro arm
Fasteners
Mounting hardware

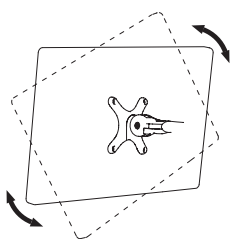
Warranty

10 years limited



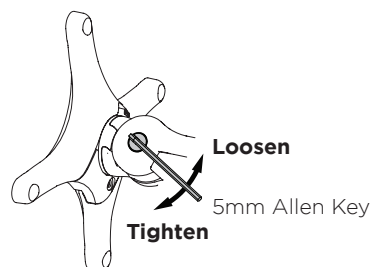
- A** 360° rotation around mounting pole (This rotation can be locked)
- B** 345mm (13.5") height adjustment range
- C** 140° pan adjustment
- D** Tilt $\pm 70^\circ$
- E** $\pm 95^\circ$ Portrait/landscape adjustment

Portrait/ Landscape



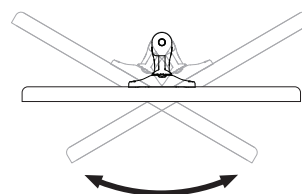
No Allen Key

Tilt (Screen angle up/down)



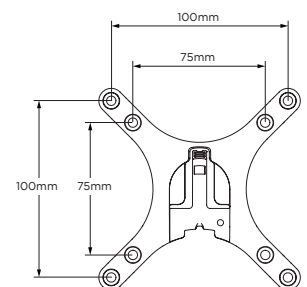
Note: Support Screen when adjusting tilt.

Pan (Screen angle left/right)

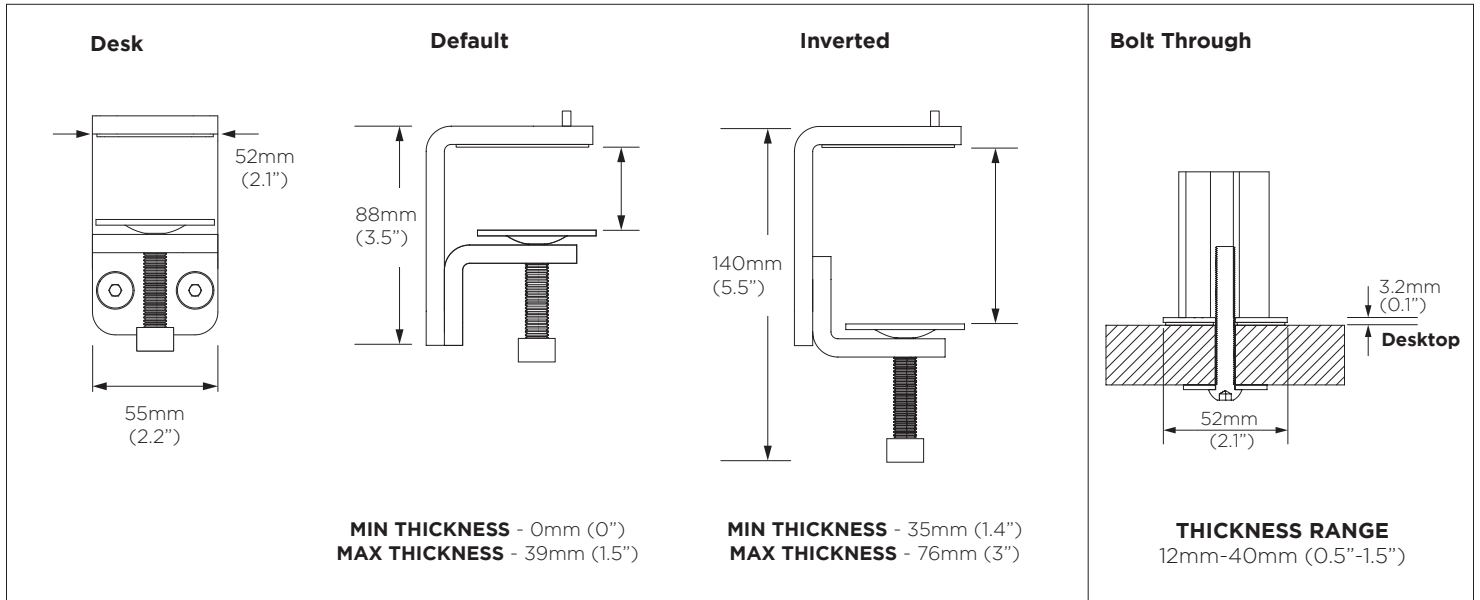


No Allen Key necessary

VESA 75 x 75 / 100 x 100mm



Mounting Options



Overall Dimensions

