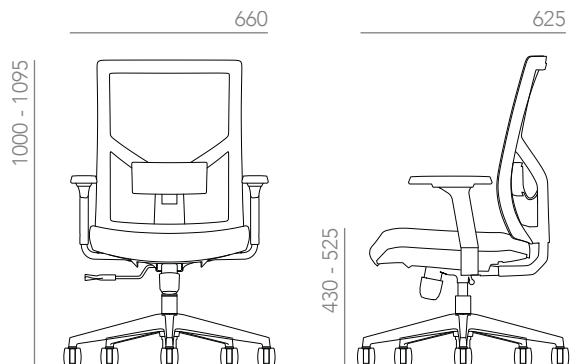
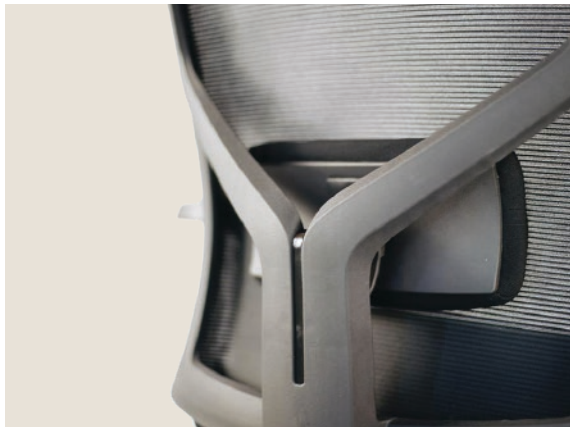


Q70 Task Chair.

Specifications



Our entry level task chair punches above its weight in any workplace. The Q70 is AFRDI approved and adaptable with easy-to-use ergonomic features for well-being and comfort.



Features

- Mesh back with molded foam seat
- Adjustable lumbar support
- Available with or without armrests
- Three position lock Synchro mechanism with tilt tension control
- Adjustable seat depth
- Nylon five-star base with silent castors

Dimensions (mm)

H 1000 - 1095 x W 660 x D 625
SH 430 - 525 x SW 505

AFRDI Blue Tick

5 Year Warranty

AWM

**AWM
AMARO**