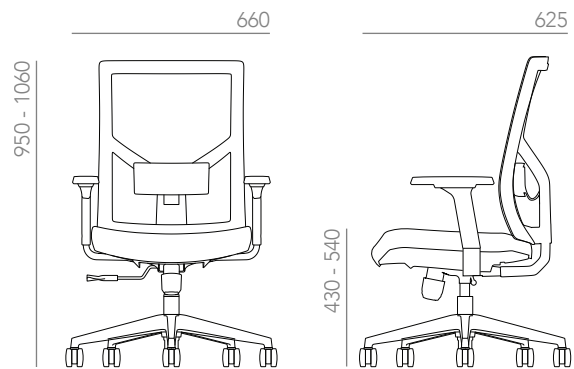


B1 Task Chair.

Specifications



The B1 Task Chair offers a mesh back with absolute comfort. It features a responsive lumbar support and complete user adjustment for complete ergonomic control.

Features

- Mesh back with molded foam seat
- Spring loaded lumbar support
- Available with or without armrests
- Three position lock Synchro mechanism with tilt tension control
- Gas height adjustment
- Nylon five-star base with silent castors

Dimensions (mm)

H 950 - 1060 x W 660 x
D 625
SH 430 - 540 x SW 500

BIFMA Certified

5 Year Warranty

AWM

**AWM
AMARO**